

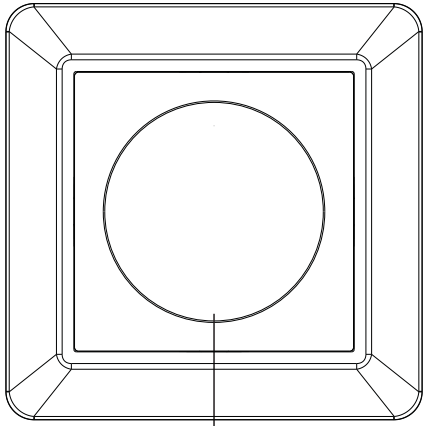
Push Compatible Z-Wave Knob Smart Dimmer

09.ZV2835RACS.04773

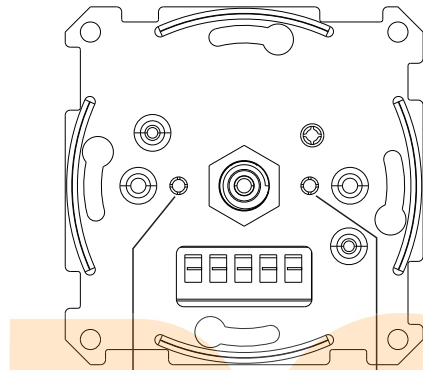


Important: Read All Instructions Prior to Installation

Function introduction



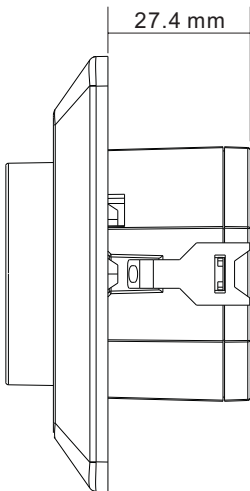
Rotary knob, short press to turn on/off, rotate clockwise to increase brightness, rotate counterclockwise to decrease brightness



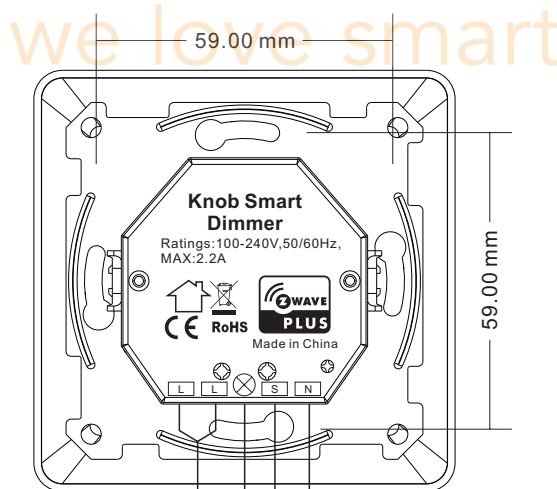
"Reset" Key: for Z-Wave network inclusion or exclusion, or factory reset the device

"Min. Set" Key: for minimum brightness and startup brightness setting

Front side



27.4 mm



Live lead input
Load output
Neutral input
Push switch input

Back side

Product Data

Z-Wave Frequency	868.42MHZ (EU)/908.42MHz(US)/921.42MHz(ANZ)
Input Voltage	AC100-240V
Output Voltage	AC100-240V
Max. Load Current	2.2A
Operating temperature	0 to 40°C
Relative humidity	8% to 80%
Dimensions	83.8x83.8x47.1mm

Safety & Warnings

- DO NOT install with power applied to device.
- DO NOT expose the device to moisture.

Quick Start

How to install:

- Step 1: power on the Z-Wave Knob Smart dimmer.
- Step 2: activate inclusion mode on your Z-Wave controller.
- Step 3: activate inclusion mode of the dimmer by triple press the reset button on the dimmer. The dimmer will be included to Z-Wave network.

Product Description

The knob smart dimmer is a Z-Wave device designed to work with various types of light sources. It may be connected to two-wire or three-wire configuration so it can operate with or without neutral lead. The dimmer can switch or dim connected light source either through Z-Wave devices or through the rotary knob directly. The smart dimmer is equipped with an algorithm of smart light source detection which makes configuration easier and ensures high compatibility of the device. It may be used as a switch with non-dimmable light sources (in 3-wire connection).

The dimmer can be included and operated in any Z-Wave network with other Z-Wave certified devices from other manufacturers and/or other applications. All non-battery operated nodes within the network will act as repeaters regardless of vendor to increase reliability of the network.

The encryption mode that the dimmer supports is S2 Unauthenticated. When the dimmer is being included into a Z-Wave network, you can use your primary controller/gateway to enable encryption mode or disable encryption. (The primary controller/gateway shall support encryption mode configuration). The dimmer supports OTA and can update firmware wirelessly.

Main Features:

- Advanced microprocessor control,
- Implemented algorithm of smart light source detection,
- Auto-adjustment of the appropriate control mode to connected load,
- Active power and energy metering functionality,
- Soft start function,
- Memory of the last lighting level settings
- With push switch input, can be controlled by universal AC push switches

It operates under the following loads:

- Conventional incandescent and HV halogen light sources
- ELV halogen lamps and dimmable LED bulbs (with electronic transformers)
- MLV halogen lamps (with ferromagnetic transformers)
- Dimmable LED bulbs
- Dimmable compact fluorescent CFL tube lamps

It can be configured to use "Trailing edge" or "Leading edge" to control following load types:

- "Trailing edge" for resistive loads
- "Trailing edge" for capacitive loads
- "Leading edge" for inductive loads

Installation Guide

Please read carefully the enclosed user manual before installation of the knob dimmer, in order to ensure an error-free functioning.

Minimum and Startup Brightness Setting Button

1. Press and hold down the button for 3 seconds to set minimum brightness: when current brightness value is 1%-50%, it will be set as minimum brightness. When current brightness value is 0%, previously set minimum brightness will be deleted.
2. Short press the button twice to set startup brightness: when current brightness value is 1%-50%, it will be set as startup brightness. When current brightness value is 0%, previously set startup brightness will be deleted.

ATTENTION: Prior to the assembly of the product, the voltage network has to be switched OFF and ensured against re-switching.

Inclusion (adding to a Z-Wave network)

1. Set primary controller/gateway into inclusion mode (Please refer to your primary controller's manual on how to turn your controller into inclusion).
2. Power on the knob dimmer and set it into inclusion mode. There are two methods to set the dimmer into inclusion mode:
 - 1) Repower on the dimmer, it will be set into inclusion mode automatically, and waiting to be included.
 - 2) Triple press reset button on the dimmer, it will set the dimmer into inclusion mode.

Exclusion (removing from a Z-Wave network)

There are two exclusion methods:

Method 1: Exclusion from the primary controller/gateway as follows:

1. Set the primary controller/gateway into exclusion mode (Please refer to your primary controllers manual on how to set your controller into exclusion).
2. Triple press reset button, the dimmer will be set to exclusion mode, and waiting to be excluded, then the dimmer will be excluded from the network.

Method 2: Factory reset the dimmer will force it to be excluded from a network. (please refer to the part "Factory Reset" of this manual)

Note: Factory reset is not recommended for exclusion, please use this procedure only if the primary controller/gateway is missing or otherwise inoperable.

Factory Reset

Press and hold down the reset button for over 10 seconds, the dimmer will be reset to factory defaults, the load brightness will be restored to 50% and will flash slowly.

Association

Z-Wave devices control other Z-Wave devices. The relationship between one device controlling another device is called association. In order to control a different device, the controlling device needs to maintain a list of devices that will receive controlling commands. These lists are called association groups and they are always related to certain events (e.g. button pressed). In case the event happens all devices stored in the respective association group will receive a common wireless command.

Association Groups:

Association Groups	Group Name	Max Nodes	Description
Group 1	Lifeline	5	<ol style="list-style-type: none">1. When press and hold down "Reset" button for 10S to reset the dimmer, send "Device Reset Locally Notification CC" to associated devices of this group to report factory reset information.2. When load state changes, send "Basic Report CC" to associated devices of this group.3. When a load over current is detected, send "Over-current detected" to Lifeline.4. When a mains voltage drop is detected, send "Voltage drop/drift" to Lifeline.5. When a load malfunction is detected, send "Emergency shutoff status" to Lifeline.
Group 2	Launch 1	5	When short press the knob, send "Basic Set 0xff/0x00" to associated devices of this group.

Set and unset associations:

(Note: All association information will be cleared automatically once the dimmer is excluded from a network.)

Set association by operating primary controller/gateway to send packets to the dimmer:

The primary controller/gateway sends packets to the dimmer using "Command Class ASSOCIATION"

Operating the device

Short press the reset button on the dimmer to switch ON/OFF the load. Short press the knob to switch ON/OFF the load, rotate the knob clockwise to increase light intensity to 100%, rotate the knob counterclockwise to decrease light intensity to 1%. Short press external push switch to switch ON/OFF the load, press and hold external push switch to increase/decrease light intensity between 1% to 100%.

Node Information Frame

The Node Information Frame is the business card of a Z-Wave device. It contains information about the device type and the technical capabilities. The inclusion and exclusion of the device is confirmed by sending out a Node Information Frame. Beside this it may be needed for certain network operations to send out a Node Information Frame.

How to send out Node Information Frame:

When the dimmer is set to inclusion/exclusion mode again, it will send out Node Information Frame, there are 2 kinds of operation as follows:

1. triple press reset button, the dimmer will be set to inclusion/exclusion mode, then send out Node Information Frame.
2. When the dimmer is under inclusion mode, there are two kinds of operation:
 - 1) Triple press inclusion/exclusion button, the dimmer will be set to inclusion mode again, and send out Node Information Frame.
 - 2) Power off and power on the dimmer, it will be set to inclusion mode automatically, and send out Node Information Frame.

Technical Data

Wireless Range	up to 100 m outside, on average up to 40 m inside buildings
SDK	6.71.03
Explorer Frame Support	Yes
Device Type	Light Dimmer Switch
Generic Device Class	GENERIC_TYPE_SWITCH_MULTILEVEL
Specific Device Class	SPECIFIC_TYPE_POWER_SWITCH_MULTILEVEL
Role Type	Always On Slave (AOS)
Routing	Yes

SUPPORTED COMMAND CLASS

Node Info		Security Command Supported Report	
COMMAND_CLASS_ZWAVEPLUS_INFO	V2	COMMAND_CLASS_MANUFACTURER_SPECIFIC	V2
COMMAND_CLASS_TRANSPORT_SERVICE	V2	COMMAND_CLASS_VERSION	V2
COMMAND_CLASS_SECURITY	V1	COMMAND_CLASS_SWITCH_MULTILEVEL	V4
COMMAND_CLASS_SECURITY_2	V1	COMMAND_CLASS_SCENE_ACTIVATION	V1
COMMAND_CLASS_SUPERVISION	V1	COMMAND_CLASS_SCENE_ACTUATOR_CONF	V1
		COMMAND_CLASS_METER	V3
		COMMAND_CLASS_NOTIFICATION	V8
		COMMAND_CLASS_CONFIGURATION	V1
		COMMAND_CLASS_ASSOCIATION_GRP_INFO	V3
		COMMAND_CLASS_ASSOCIATION	V2

		COMMAND_CLASS_FIRMWARE_UPDATE_MD	V4
		COMMAND_CLASS_POWERLEVEL	V1
		COMMAND_CLASS_DEVICE_RESET_LOCALLY	V1

Notification Command Class

Voltage drop/drift

The dimmer supports Voltage drop/drift, when a mains voltage drop is detected, the dimmer will send out Voltage drop/drift to Lifeline.

Notification Type	Notification
Power management (0x08)	Voltage drop/drift (0x05)

Over-current detected

The dimmer supports Over-current detected, when over current of the load is detected(current over 3.2A continuously for over 20 seconds), the dimmer will send out Over-current detected to Lifeline.

Notification Type	Notification
Power management (0x08)	Over-current detected (0x06)

Emergency shutoff

The dimmer supports Emergency shutoff, when a load malfunction is detected, the dimmer will send out Emergency shutoff status to Lifeline.

Notification Type	Notification
System (0x09)	Emergency shutoff status (0x07)

Configuration Command Class

Parameter	Size	Description	Default Value	
2	1	Info: Saving load state before power failure 0 – shutoff load 1 – turn on load 2 – save load state before power failure	2	
3	1	Info: Enable/disable to send the basic report to the Lifeline when the load state changed (When value set as 1, re-power on the dimmer, it will send Basic report automatically) 0 – Disable to send Basic report 1 – Enable to send Basic report	1	
4	1	Default fade time (unit is second, this value has the same function as Duration of Multilevel) Valid value: 0~127	1	
		Value		Description
		0x00		Instantly
		0x01..0x7F	1 second (0x01) to 127 seconds (0x7F) in 1 second resolution.	
5	1	Setting minimum brightness value Valid value: 0~50, the bigger the value is, the higher the load's minimum brightness is	15	
6	1	Setting maximum brightness value Valid value: 0~100	100	
7	1	Choose MOSFET driving type 0 – trailing edge 1 – leading edge	0	




8	1	Setting step of the knob Corresponding dimming stepping level for each rotation of the knob (a full dimming stepping level is 99), Valid value: 1-50	5
9	1	Added to and removed from a network through external switch (when enables this function, triple press the external switch within 1.5 seconds to be added to or removed from a network) 0 - disable 1 - enable	0
10	1	Enable/disable to detect load after re-power on (detect load type, minimum brightness, maximum brightness) 0 - disable 1 - enable to detect every time after re-power on 2 - enable to detect only after first re-power on Note: When the device does not belong to any network, load detection will be enabled every time after re-power on. When the device has already been added to a network, load detection will be disabled.	0
11 (read only)	1	Wiring type 0 - unknown 1 - 2 Wire With No Neutral 2 - 3 Wire With Neutral	0
12 (read only)	1	Load type 0 - unknown 1 - resistive 2 - inductive 3 - capacitive	0
13	1	Enable/disable over current protection (over 3.2A for 20 seconds continuously) 0 – disable 1 – enable	1
14	2	Power automatic report absolute threshold, unit is W When power changes above the absolute threshold, immediately report current power value	10
15	1	Power automatic report percentage threshold, unit is % When power changes above the percentage threshold, immediately report current power value	20
21	4	Power metering automatic report time cycle, unit is second Valid time cycle value: 5~2678400	600 (10 minutes)
22	4	Energy metering automatic report time cycle, unit is second Valid time cycle value: 5~2678400	1800 (30 minutes)
23	4	Voltage metering automatic report time cycle, unit is second Valid time cycle value: 5~2678400	3600
24	4	Current metering automatic report time cycle, unit is second Valid time cycle value: 5~2678400	3600
31	1	Setting dimming curve 0 - linear dimming 1 - logarithmic dimming	0
32	1	Setting startup brightness of the load Valid value: 0~99 Note: every time when turn on the load from OFF status, if the target brightness is lower than the startup brightness, the brightness will first go to the startup brightness value then fall down to the target brightness	0

33	1	External switch type 0 – Push button switch 1 – normal on/off switch	0
----	---	--	---

Notes for the diagrams:

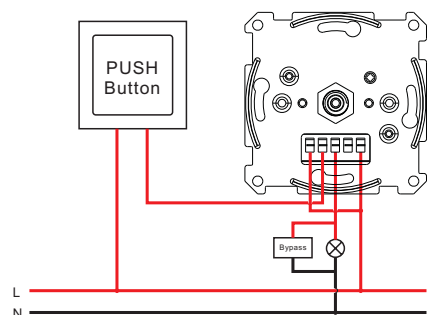
- L - terminal for live lead
- N - terminal for neutral lead
- ⊗ - output terminal of the dimmer (controlling connected light source)
- S - terminal for push switch

Compatible load types and recommended values of power for supported loads:

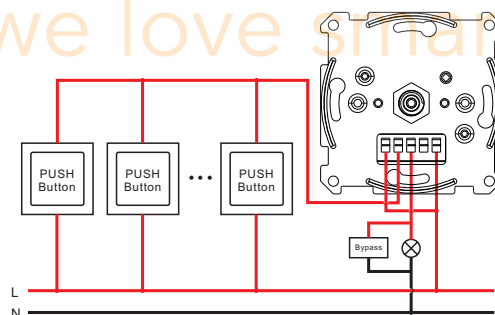
Supported load types		100-240V~	
	Resistive loads Conventional incandescent and halogen light sources	20-500W @ 230V 20-250W @ 110V	
	Capacitive loads Fluorescent tube lamp (compact / with electronic ballast), electronic transformer, LED	Using Bypass: 3-250W @ 230V 3-125W @ 110V	No Bypass Used: 20-250W @ 230V 20-125W @ 110V
	Inductive loads Ferromagnetic transformers	20-250W @ 230V 20-125W @ 110V	

(1) 2-Wire Connection With No Neutral Lead

Single push switch wiring

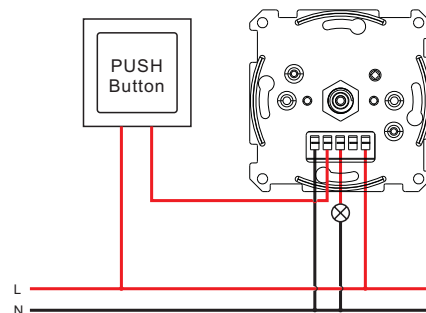


Multiple push switches wiring for multiple control points

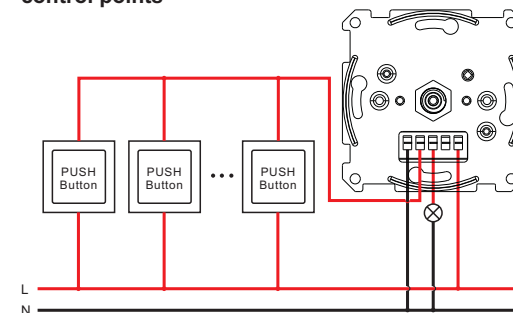


(2) 3-Wire Connection With Neutral Lead

Single push switch wiring

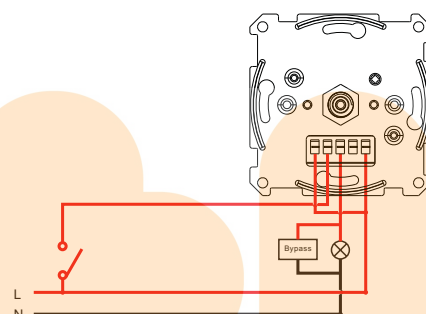


Multiple push switches wiring for multiple control points

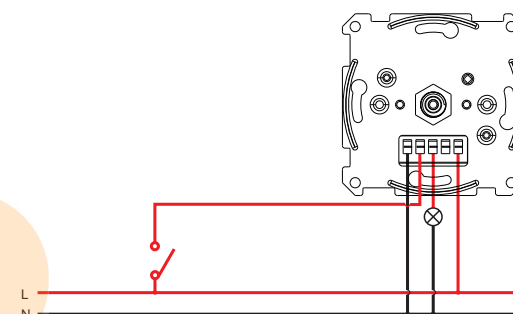


(3) With normal on/off switch

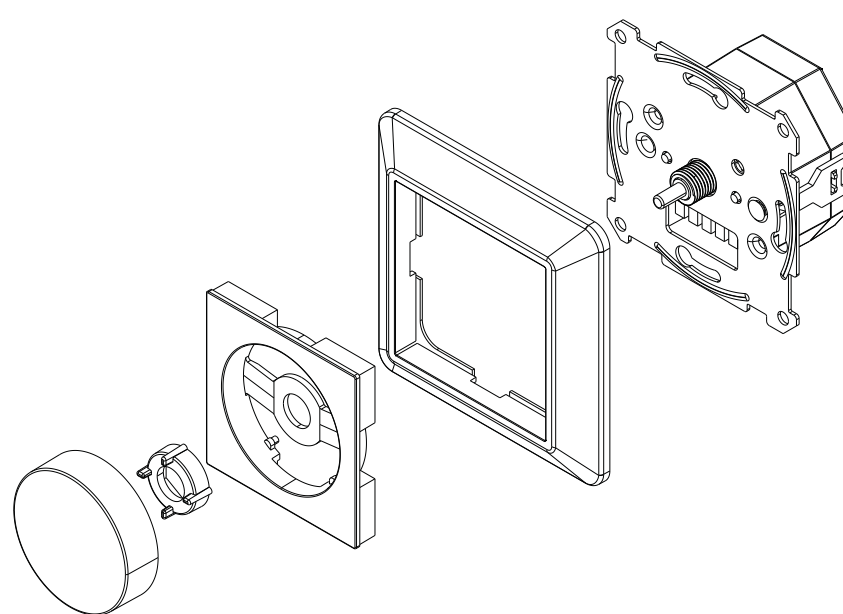
2-Wire connection without neutral lead



3-Wire connection with neutral lead



Installation



The Bypass is a device designed to work with the knob smart dimmer. It should be used in case of connecting LED bulbs or energy saving compact fluorescent lamps. The Bypass prevents flickering of the LED lights and glowing of the turned off compact fluorescent lamps. In the case of 2-wire connection, the Bypass allows to reduce minimum power of load required by the dimmer for correct operation. The Bypass provides powering of the dimmer in case of controlling the low loads of minimum power down to 3W (for $\cos\phi > 0.5$).