

RLK8-800B4

Equipped with cutting-edge smart detection technology, RLK8-800B4 is intelligent enough to distinguish people and cars from other objects and gives you true peace of mind by eliminating false alarms. This superior kit can show the finest key details in vividness, even when you digitally zoom in, so that every ambiguity in video footage you met before is cleared up.

1. Specs



1	Mount
2	Metal Aluminum Case
3	18 IR LEDs
4	High Definition Lens
5	Daylight Sensor

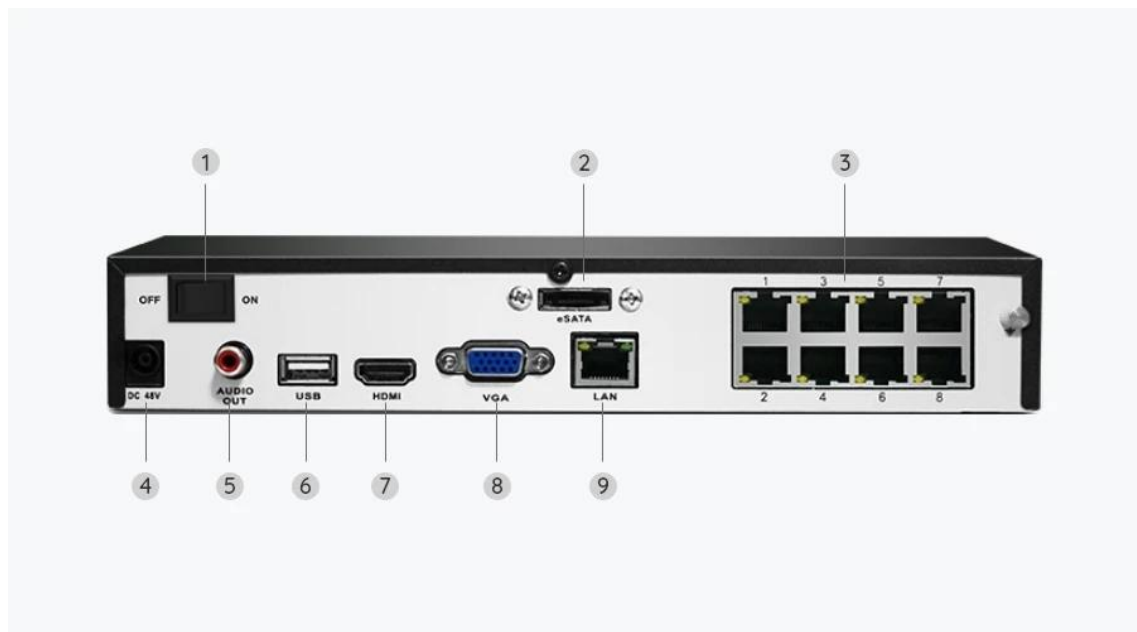


1	Power
2	Reset Button
3	Network
4	Waterproof Lid



1	USB Port
---	----------

2	Power LED/HDD LED
3	Control Panel



1	On/Off Switch
2	eSATA
3	RJ45
4	Power Input
5	Audio Out
6	USB Port
7	HDMI Port
8	VGA Port
9	Network

2. Setup and Install

Set up the System

What's in the Box

Note: The package content may vary and update with different version and platforms, please take the below information only for a reference. And the actual package content are subject to the latest information on the product selling page.

RLK8-800B4



RLN8-410*1



B800*4



NVR Power Adapter*1



HDMI Cable*1



USB Mouse*1



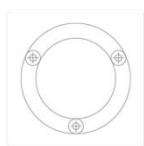
1m Network Cable*1



Quick Start Guide*1



Surveillance Sticker*4



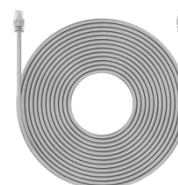
Mounting Template *5



Pack of Screws*5



Waterproof Lid *4



18m Network Cable*4

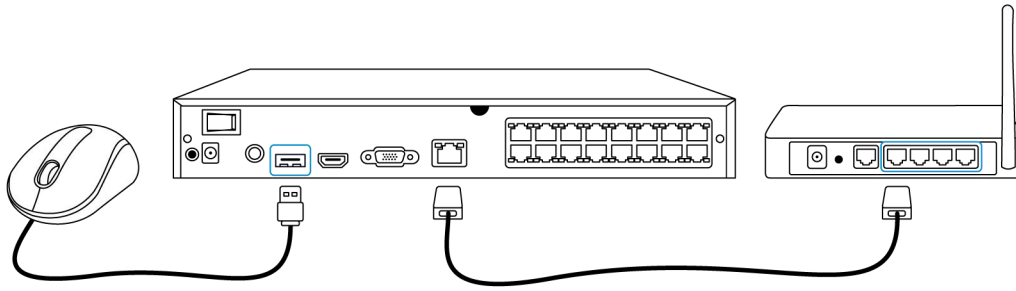


Wrench *1

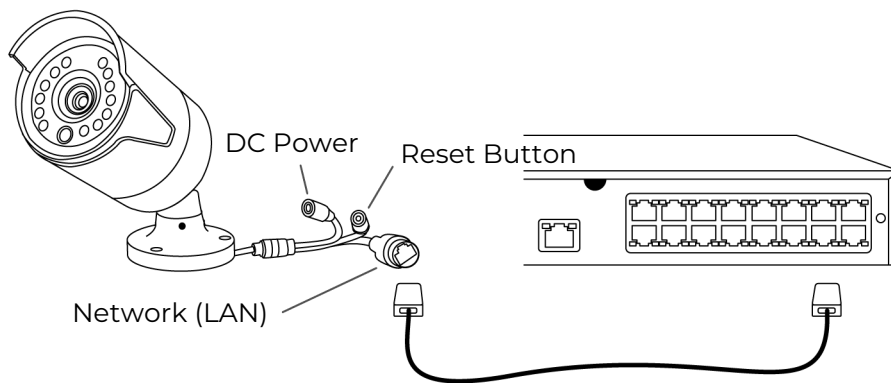
Connect and Power the NVR

Before initially set up the system on the App, please connect the cameras to the NVR and power on the NVR.

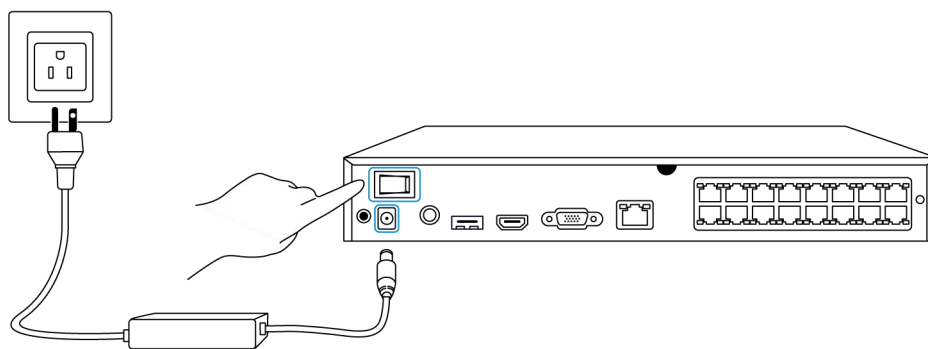
1. Connect the NVR's LAN port to router by Ethernet cable, and connect the mouse to the USB port of the NVR.



2. Connect the PoE camera to PoE port of the NVR. Or if you want to use a WiFi camera, please connect the camera to the WiFi of the same router as NVR.



3. Connect the power adapter to the NVR, and switch on the NVR.

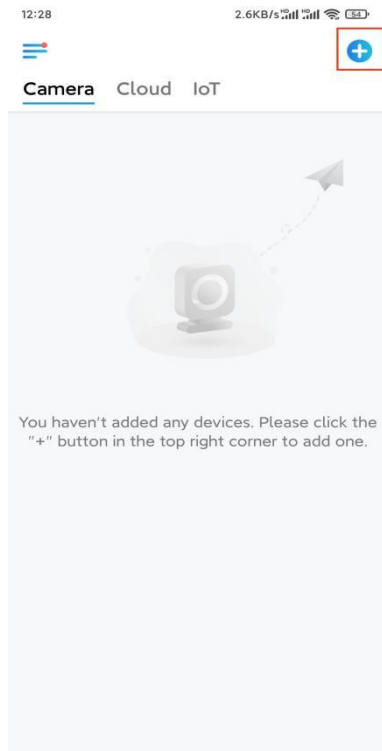


Set up the system on the App

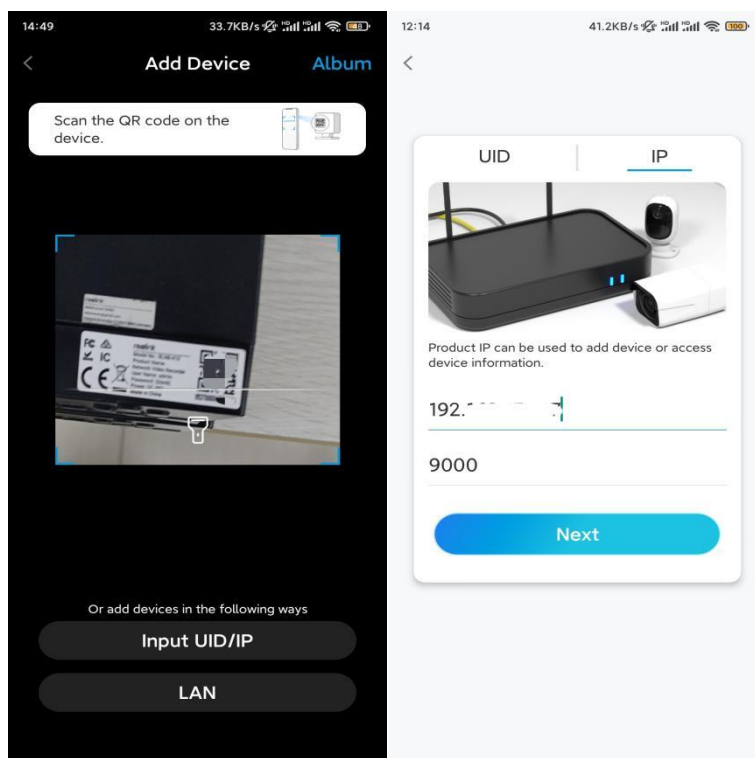
Please initially set up the system on the App by referring to the following steps.

Note: Please make sure the device and your phone are on the same network.

Step 1. Tap the icon  on the top right corner.



Step 2. Scan the QR code on your NVR, or tap **Input UID/IP** to enter the UID of the NVR (a 16-digit number under the QR code). Then tap **Next**.



Step 3. For security considerations, you need to create a password for the first time.

11:33

7.1KB/s

Device initialization

First step

Create device password

The account info is required when you access device(s) on other platforms. Keep it for quicker access.

(Default device account)

Password strength: Weak

[Next](#)

Step 4. Name your device. Then tap **Next**.

14:22

16.1KB/s

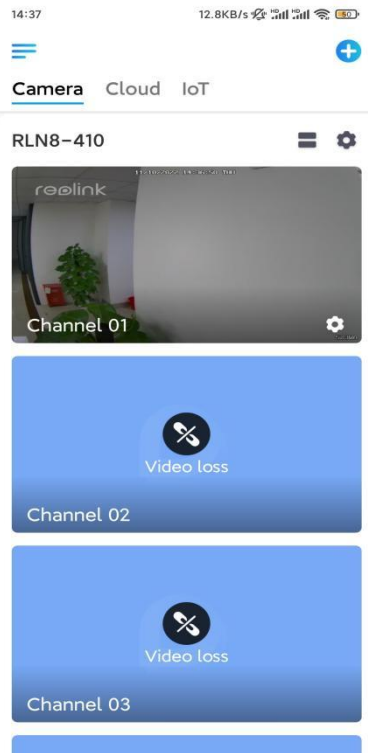
Device initialization

Second step

Name Your Device

[Next](#)

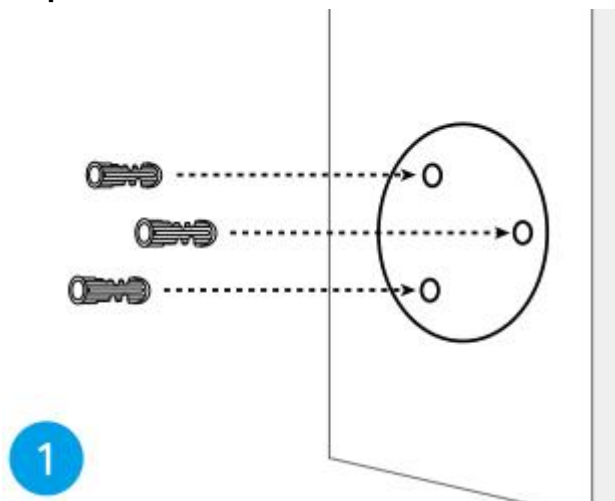
Step 5. Initialization finished! You can start to live view now.



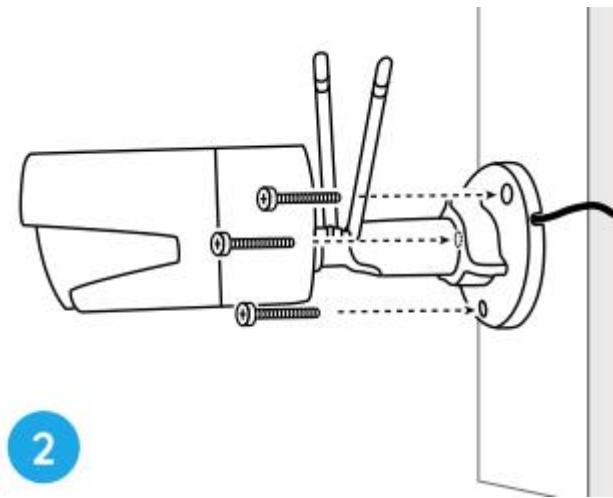
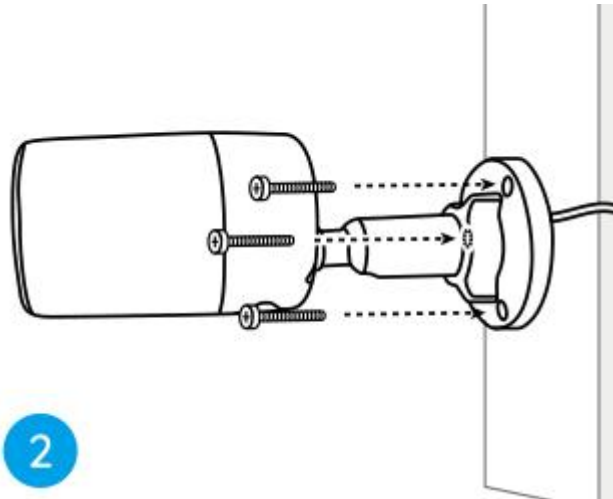
Install the Camera

Please follow the steps below to install the camera.

Step 1. Drill holes in accordance with the mounting hole template.



Step 2. Install the mount base with the mounting screws included in the package.
(For WiFi cameras, please install antenna in advance)

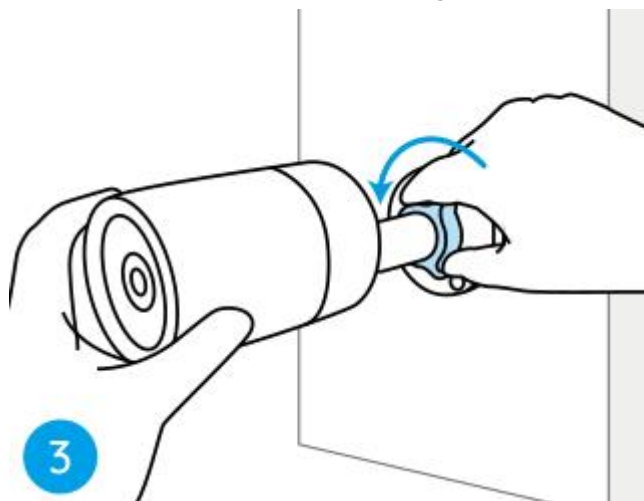


Notes:

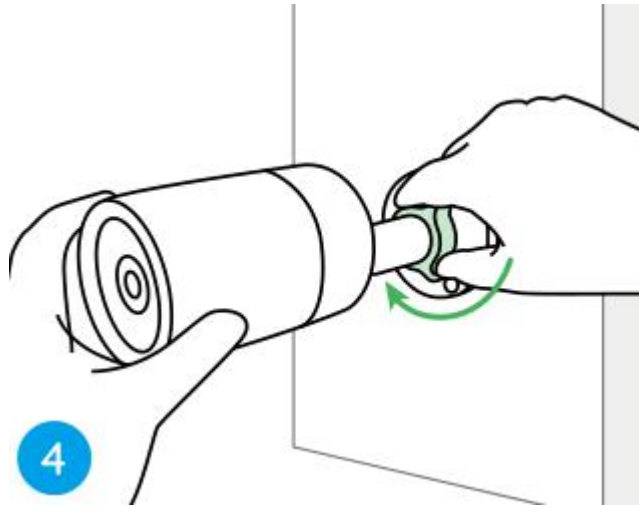
Run the cable through the cable notch on the mount base.

As for the WiFi camera, it is recommended that the antennas be installed upward or horizontally for better WiFi connection.

Step 3. loosen the adjustment knob by twisting it counterclockwise on the security mount, and turn the camera to get an ideal view.



Step 4. Turn the knob clockwise to fix the camera in place.



Note: If your camera has another mount without the adjusting knob, please loosen the adjusting screw with the provided hex key and turn the camera as shown below to adjust the angle.

