

# RLC-820A

Reolink RLC-820A is equipped with on-device detection technology to discern people, vehicles, and pets\* from other objects. With its accurate detection, you can keep a sharper eye on the true threats and release your mind from the bombardment of unnecessary notifications.

## 1. Specs



1	Mount
2	Metal Aluminum Case
3	High Definition Lens
4	18 IR LEDs
5	Daylight Sensor
6	Built-in Mic



1	Micro SD Card Slot
---	--------------------



1	Power
2	Reset Button
3	Network
4	Waterproof Lid

## 2. Setup and Install

### Set up the Camera

#### What's in the Box

**Note:** The package content may vary and update with different version and platforms, please take the below information only for a reference. And the actual package content are subject to the latest information on the product selling page.

RLC-820A



RLC-820A\*1



1m Network  
Cable\*1



Quick Start Guide\*1



Surveillance Sticker\*1



Mounting Template \*1



Pack of Screws\*1

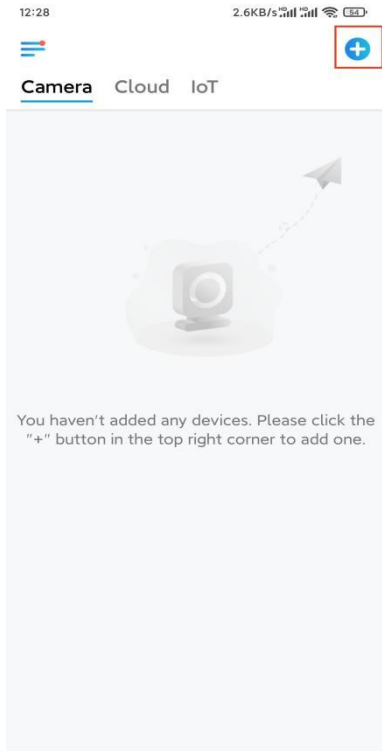


Waterproof Lid \*1

### Set up the Camera on the App

Here is a guide on how to initially set up the camera via Reolink App.

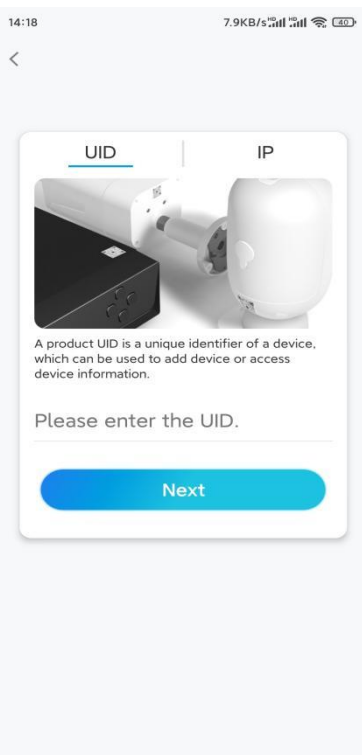
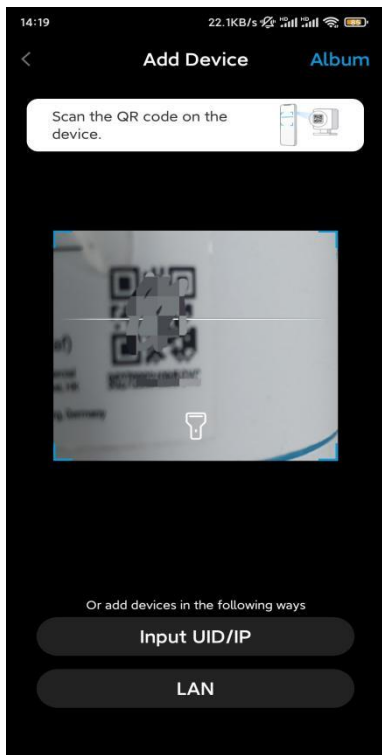
**Step 1.** Tap the icon  in the top right corner.



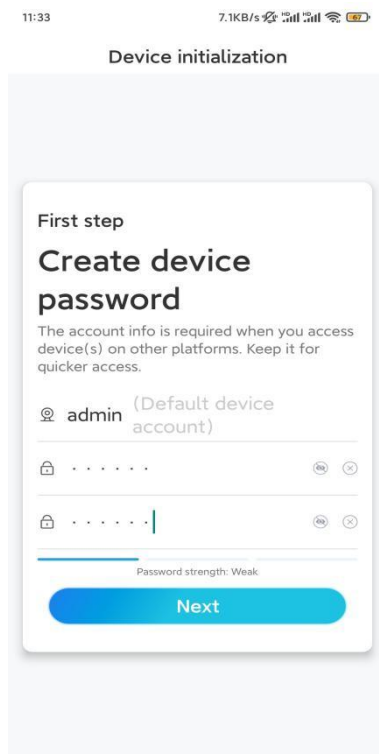
**Note:** If you've enabled the **Add Device Automatically** option on the App's Settings page, you can tap this device on the **Devices** page and turn to **Step 3** directly.

**Step 2.** Scan the QR code on the back of the camera. You may tap **Light** to enable a flashlight when setting up the camera in a dark environment.

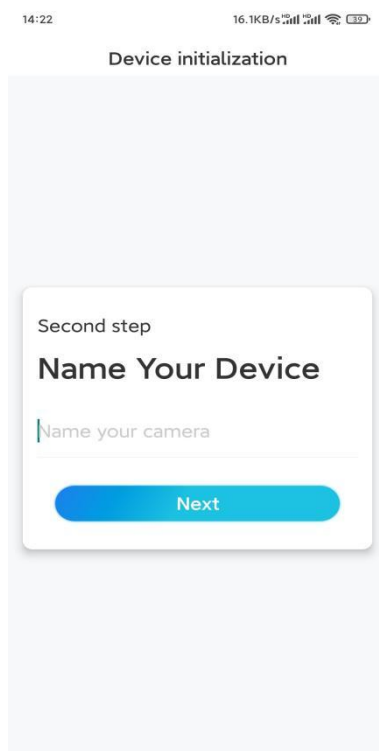
If the phone doesn't respond, please tap **Input UID/IP** and then manually type in the UID (16-digit characters under the QR code of the camera). Then tap **Next**.



**Step 3.** Create a login password for your camera. Then tap **Next**.



**Step 4.** Name your camera. Then tap **Next**.

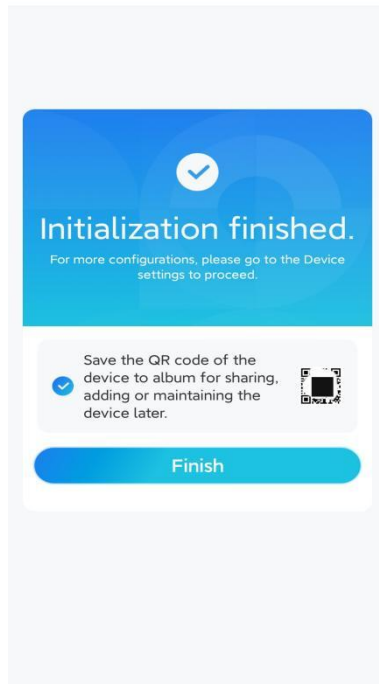


**Step 5.** Initialization finished! You can start live viewing now.

11:46

6.5KB/s

### Device initialization

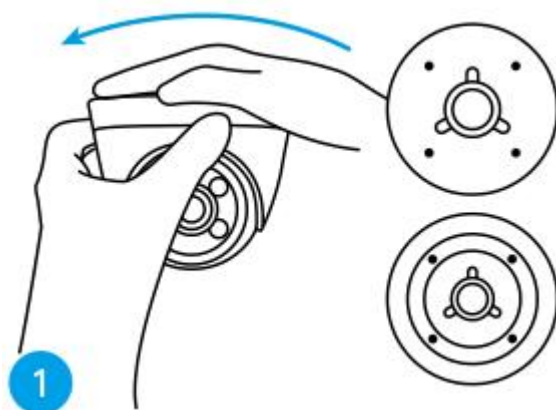


## Install the Camera

Please follow the steps below to install the camera.

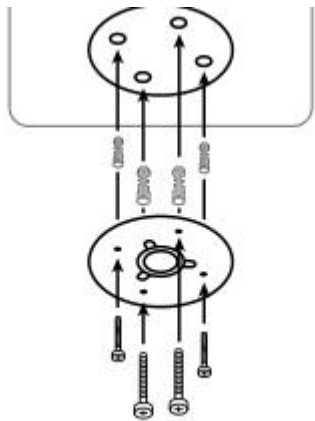
**Step 1.** Separate the mounting plate from the camera.

You may hold and press on the camera top and turn the plate counterclockwise as shown below.



**Step 2.** Install the mounting plate.

Drill holes on the ceiling according to the mounting hole template and screw the mounting plate firmly.

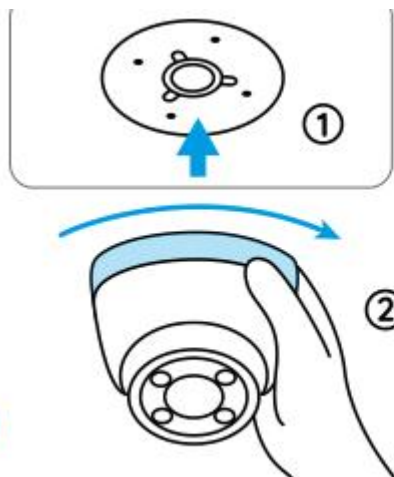


2

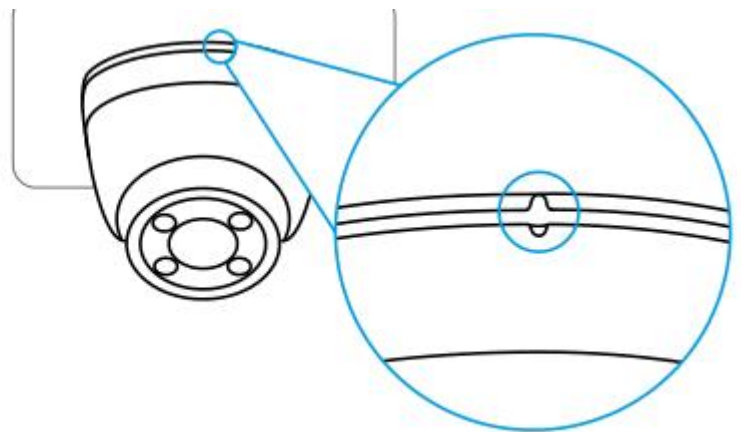
**Note:** Use the drywall anchors included in the package if needed.

**Step 3.** Attach the camera.

Align the camera to the mounting plate and turn the camera clockwise to lock it tightly. Pay attention that these two points should be aligned, which means the camera has been locked correctly.



3



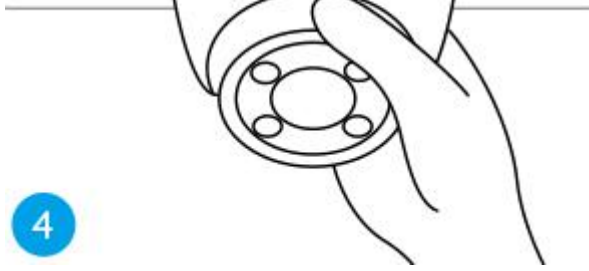
**Notes:**

Run the cable through the cable notch on the mount base.

If you need to take down the camera, please hold and rotate the camera counterclockwise carefully.

**Step 4.** Adjust the camera's view angle.

Once the camera is installed, you may rotate the camera body manually to adjust the camera's surveillance angle.



4