

HEATIT Z-DIM

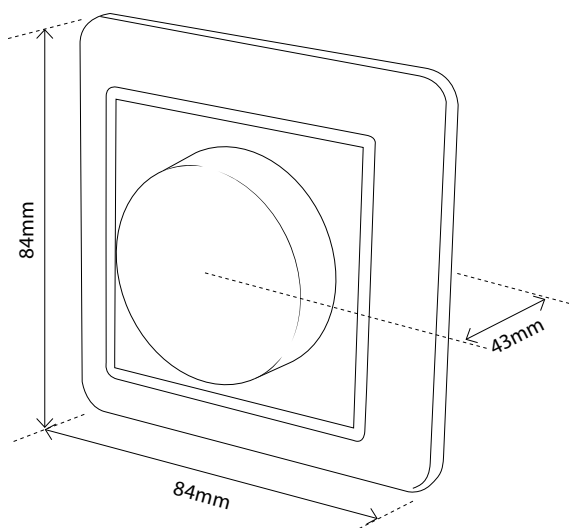
- Z-Wave rotary dimmer



Heatit Z-Dim is a Z-Wave rotary dimmer for many different types of light sources. The Heatit Z-Dim works on low loads without causing the lights to flicker. It dims LED-bulbs from 1-200VA, 230V halogen and incandescent bulbs, dimable LED-drivers and electronic transformers. The dimmer is not affected by startup inrush currents. L+N leads must be connected.

The dimmer is equipped with a multiway switching option. This allows you to light and dim a light source from one dimmer, and later turn it off with another one. Very practical for stairwells, long hallways etc.

The dimmer fits into standard Gira System 55 frame systems.



PRODUCT INFO Heatit Z-Dim

FEATURES

- Z-Wave rotary dimmer
- Scene Controller
- Dims:
 - LED
 - 230V halogen
 - Incandescent lightbulbs
 - Dimable LED-drivers
 - Electronic transformers
- Starts at 1VA and dims up to 200VA LED
- Trailing edge
- Multiway switching option
- Electronic thermal cutoff with automatic reset
- Firmware updates (OTA)
- Power metering
- Supports encryption mode: S0, S2 Authenticated Class, S2 Unauthenticated Class

This product is a security enabled Z-Wave Plus product with encryption. The product must be used with a security enabled Z-Wave Controller in order to fully utilize the product.

TECHNICAL DATA

Protocol	Z-Wave, 868,4MHz
Chip	Z-Wave 500 chip
SDK	6.71.03
Rated voltage	230V AC 50Hz
Power	1VA - 200VA
Input current	0,9A
Controls	Push and rotary dimmer
Operating temperature	-20°C - 40°C
Connection	Max. 2,5mm ²
Flush mounting depth	15mm
IP Code	IP 20
Size (LxWxH)	84 x 84 x 43mm

Approvals Z-Wave Plus, CE

EN 55015/A2: 2009, EN 61547:2009, EN 61000-3-2/A2:2009, EN 61000-3-3:2008, EN 60669-2-1/A12:2010, EN 60669-1:A2:2008, EMC 2014/30/EU, RoHS 2011/65/EU, LVD 2014/35/EU

MAINTENANCE

The device is maintenance-free.

WARRANTY

2 years

ART. NO.	PRODUCT	COLOUR	FREQUENCY
14 444 44	Heatit Z-Dim 200VA - Z-Wave rotary dimmer	White RAL 9003	EU 868,4MHz*

The product is also available in other Z-Wave frequency versions on request.