



Anker Innovations Limited. All rights reserved. eufy Security and eufy Security Logo are trademarks of Anker Innovations Limited, registered in the United States and other countries. All other trademarks are the property of their respective owners.

51005002808 V01



QUICK START GUIDE

EUFY FLOODLIGHT CAM 2 PRO

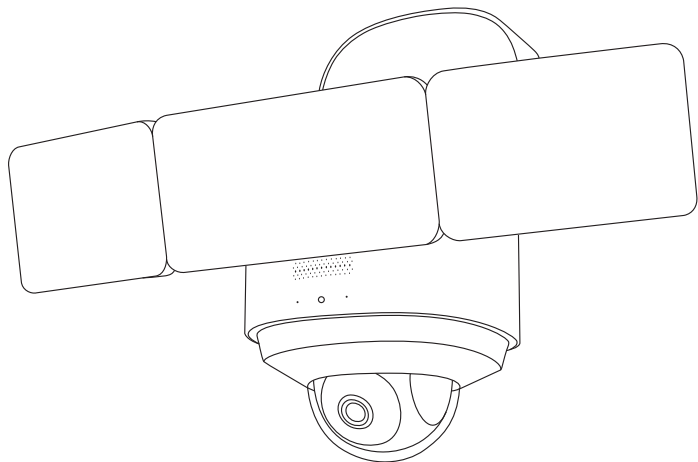


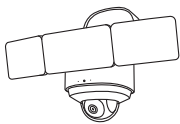
Table of Contents

SAFETY INSTRUCTIONS	01
WHAT'S IN THE BOX	01
PRODUCT OVERVIEW	02
DECLARATIONS	03
POWERING ON YOUR FLOODLIGHT CAMERA	05
SETTING UP THE FLOODLIGHT CAMERA	06
PREPARING FLOODLIGHT CAMERA FOR INSTALLATION	07
MOUNTING YOUR FLOODLIGHT CAMERA	09
ADJUSTING THE LIGHTING ANGLE	19
NOTICE	23

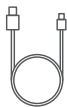
SAFETY INSTRUCTIONS

- **Disconnect power at the fuse or circuit breaker before installing.**
- **Do not install the product near flammable surfaces.**
- **To avoid risk of shock, injury or death, always be cautious when working with electricity.**
- **Consult a licensed electrician if you are uncomfortable working with electrical wiring.**
- **Make sure the Floodlight Camera is properly grounded.**
- **Floodlight Camera must be installed on a wall and on a UL-listed junction box.**

WHAT'S IN THE BOX



eufy Floodlight Cam 2 Pro
(T8423)



Charging Cable



Mounting Plate



Installation Hook
& String



Central Screw



Central Screw Cap



Wire Nuts



Plate Screws

Required (not included):

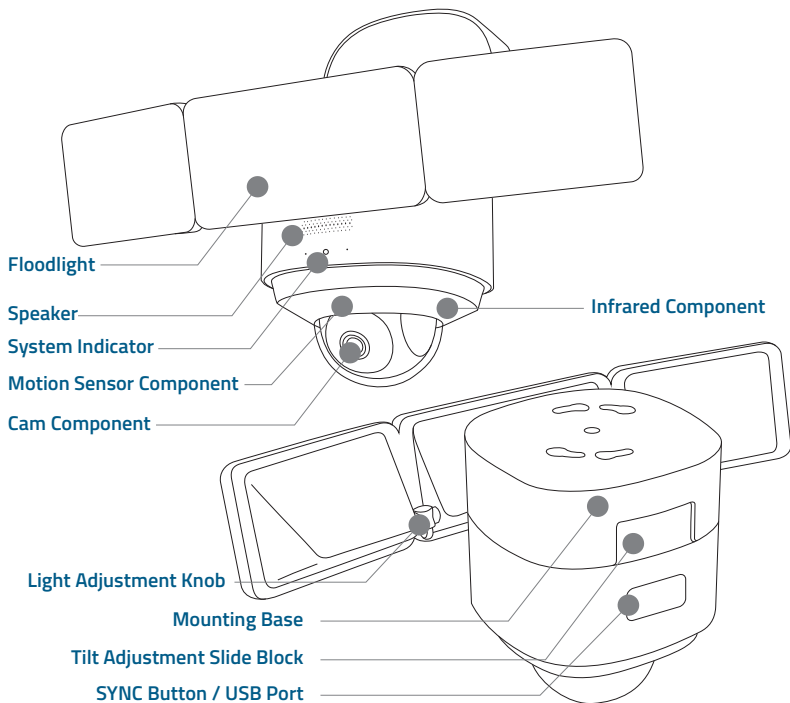


Crosshead
Screwdriver



USB Power Adapter
(5V/1A)

PRODUCT OVERVIEW



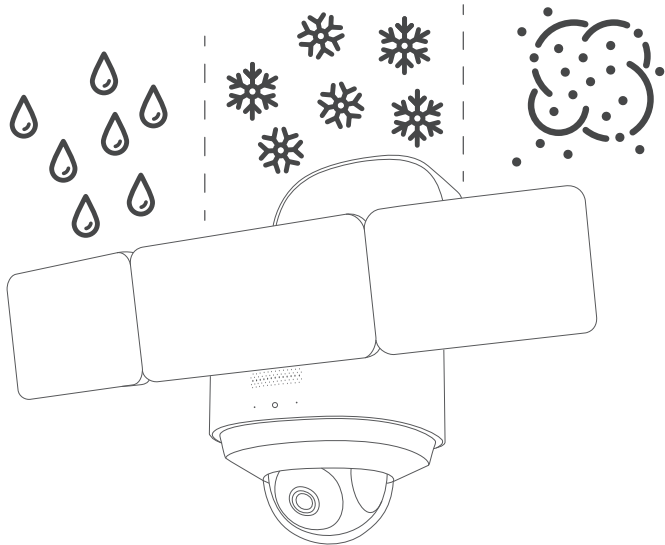
DECLARATIONS

IP65-rated dustproof and waterproof

This product meets IP65 (dustproof and waterproof) requirements.

For dustproof testing, the product was vacuumed and placed in a dust box. After 8 hours of testing, no dust was found in the product.

For waterproof testing, the product was sprayed by a nozzle with an inner diameter of 6.3mm, and water flow of 12.5 L/min. After the test, the product operated normally with no water found inside.



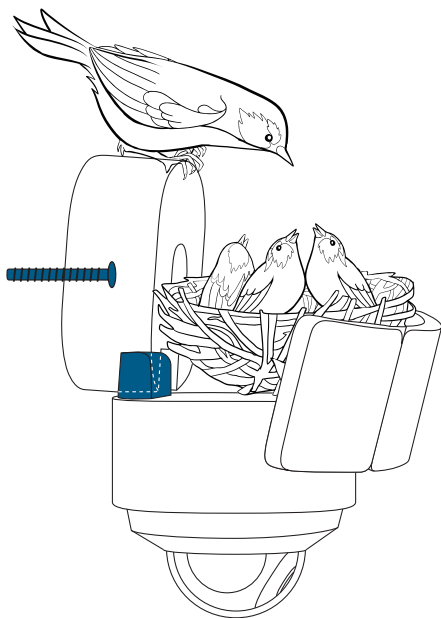
Anti-corrosion

The metal surface of the product is galvanized, and can survive continuous exposure to salt spray at $35\text{ }^{\circ}\text{C} \pm 2\text{ }^{\circ}\text{C}$ (relative humidity: 90%-95%) with a salt concentration of 5% NaCl for 48 hours in the salt spray test.

Load-bearing tests

The L-shaped bracket and center screw of the product are made of SUS304 steel and have passed industrial-grade outdoor reliability and durability tests.

NOTE: The total weight of the product is 2.2kg (4.9lbs), and the L-shaped bracket and center screw is strong enough to carry a load of 10kg (22lbs).



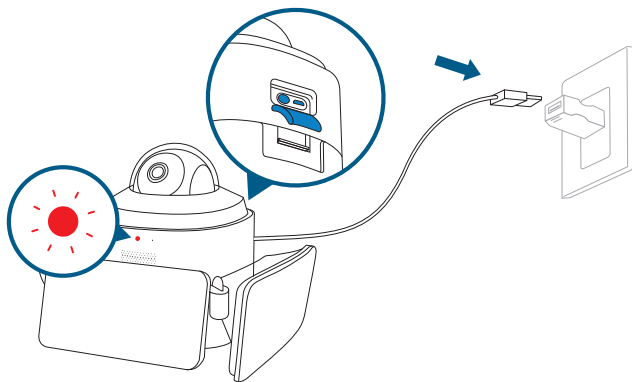
10kg

POWERING ON YOUR FLOODLIGHT CAMERA



To avoid scratching the Floodlight Camera, do not peel off the protective film for the time being.

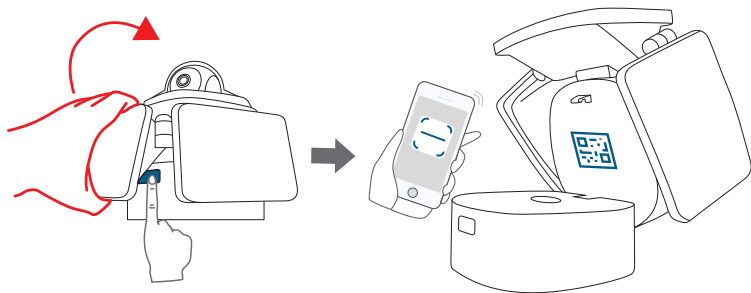
Put your Floodlight Camera in the direction as illustrated on a table, and open the USB port cover. Connect the device to a power source inside your home using the micro USB charging cable and a power adapter (5V/1A, not provided). Wait 1 minute or until the LED indicator blinks red.



The Floodlights will only light up when in wired power mode. The USB-powered connection is used for setting up the camera safely inside your home.

SETTING UP THE FLOODLIGHT CAMERA

Push and hold the button to open the mounting base and find a QR Code.



Download the eufy Security app from the App Store (iOS devices) or Google Play (Android devices).



Log in or sign up for a eufy Security account, then follow the on-screen instructions to complete the setup.

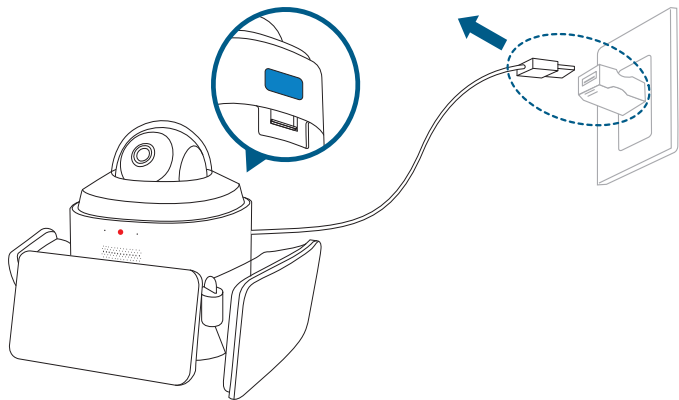


Make sure you can livestream video from Floodlight Camera before mounting.

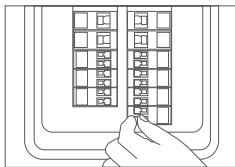
If the Floodlight Camera LED keeps blinking red, it means the floodlight is not connected to the Internet. Please make sure the Wi-Fi signal is strong at the desired location. You may consider moving the wireless router closer to Floodlight Camera or using a Wi-Fi range extender.

PREPARING FLOODLIGHT CAMERA FOR INSTALLATION

1. Unplug the power adapter. Close the mounting base and USB port cover.



2. Shut down the circuit breaker in your house. Switch on/off the lights to make sure the electricity in your house is properly shut off.

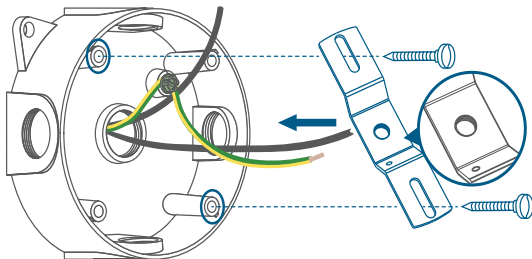


To avoid risk of shock, injury or death, always be cautious when working with electricity.

3. Remove the previous Floodlight or Floodlight Camera from the junction box and install the mounting plate.



The junction box and existing electrical wires are required for installing the Floodlight Camera.



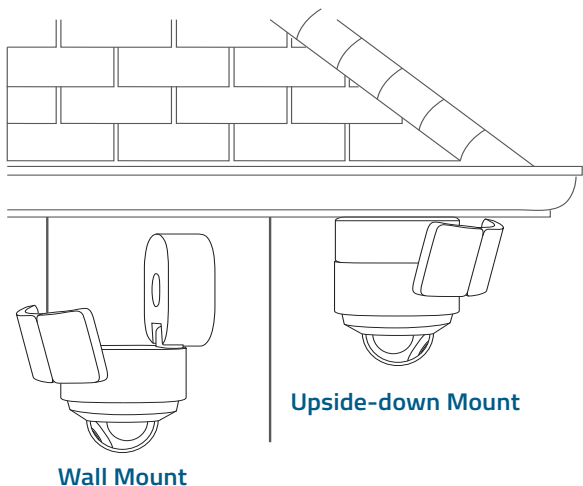
The concaved side of the mounting plate must face outwards.

MOUNTING YOUR FLOODLIGHT CAMERA



To ensure the best motion detection range, we recommend installing the Floodlight Camera within 2-3 meters above the ground.

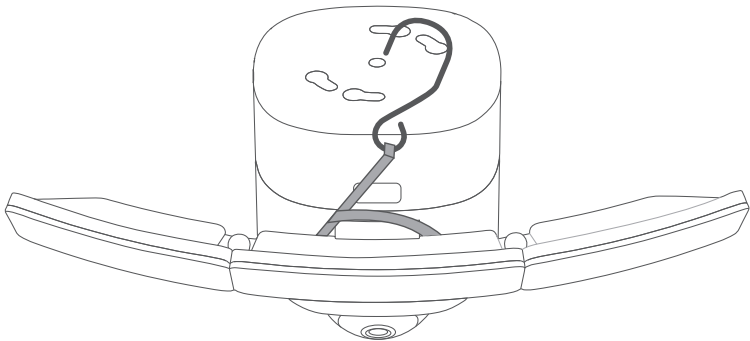
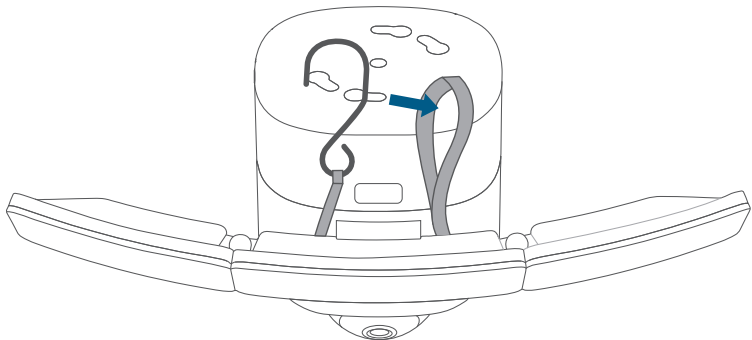
You can hang Floodlight Camera or install it vertically on the wall. Select the installation method that best suits the position of your junction box.



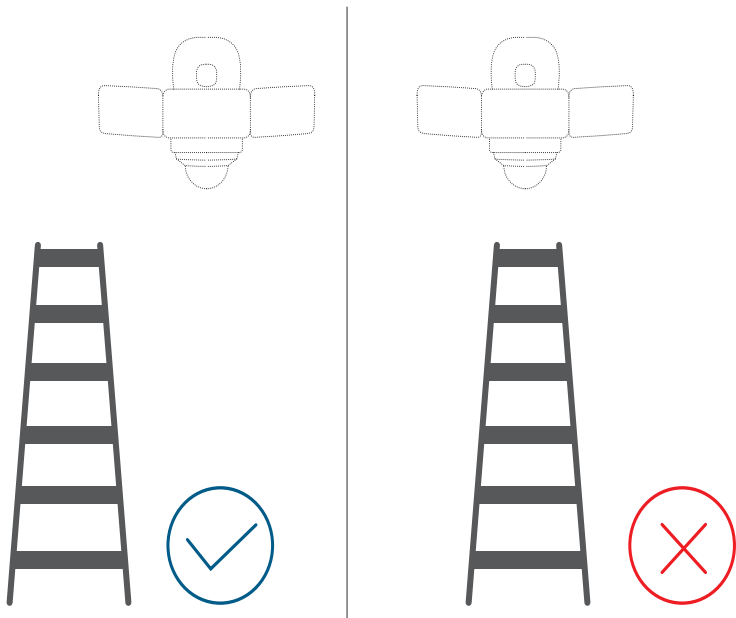
Mount Floodlight Camera onto a Wall

STEP 1. Before Mounting

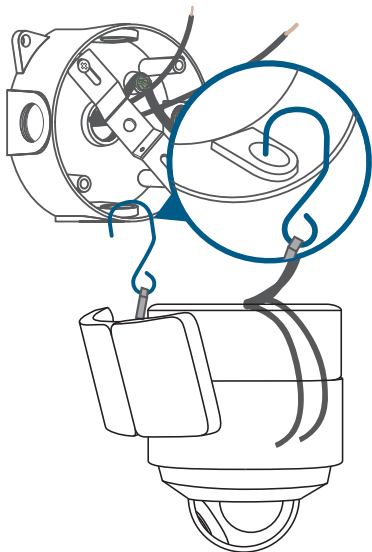
1. Pass the hook through the other end of the string as illustrated.



2. You need a ladder to mount your Floodlight Camera on the wall. Make sure you do not place your ladder right under the Floodlight Camera. Place it to the lower left or right of the Floodlight Camera as illustrated below to avoid obstructing your view while mounting.



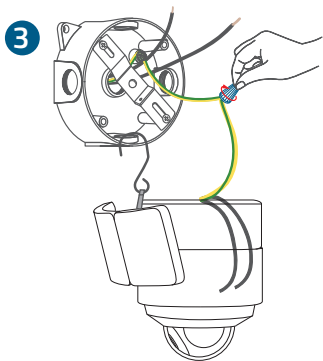
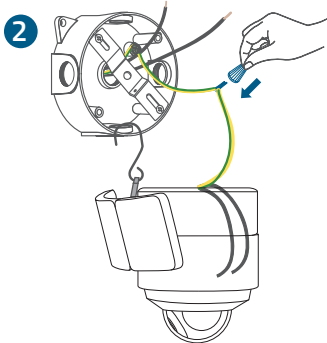
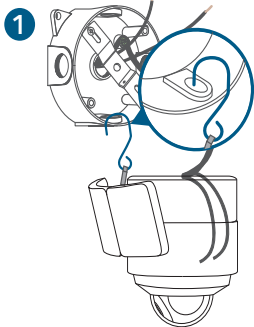
3. Hang your Floodlight Camera on the junction box with the hook provided.



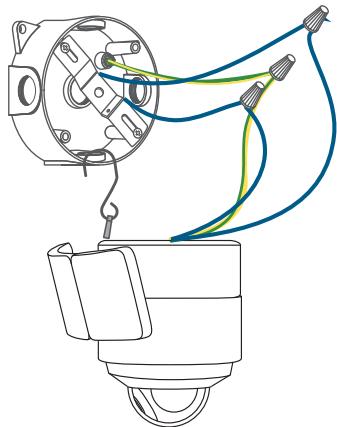
If the junction box has been installed in the wall, hang the Floodlight Camera on the mounting plate.

STEP 2. Connect Wires

1. Connect both ground wires (yellow or green) from the junction box and Floodlight Camera and join the wires by using a wire nut. If the existing ground wire has been connected to the junction box or there is no ground wire, connect the ground wire of the Floodlight Camera to the junction box or mounting plate directly.



2. Use wire nuts to connect the Floodlight Camera wires to the rest of the wires from the junction box. Connect the white wire on the Floodlight Camera to the white wire (neutral) from the junction box. Connect the black wire on the Floodlight Camera to the black wire (hot) from the junction box.



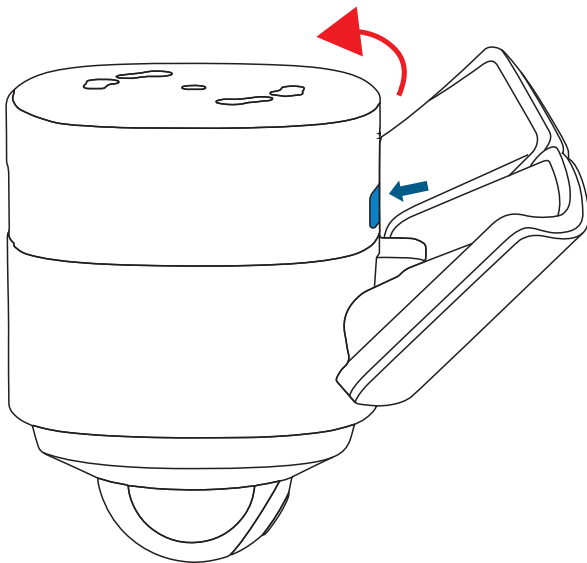
The GROUND wire is green and yellow in color. Make sure the GROUND wire on Floodlight Camera connects to the GROUND wire of the junction box. The other 2 wires on the Floodlight Camera do not require a specific connection order. Use the wire nuts to protect the joints of wires.



To avoid risk of shock, injury or death, always be cautious when working with electricity. Remember, do hire a professional electrician if you're uncomfortable working with electrical wiring.

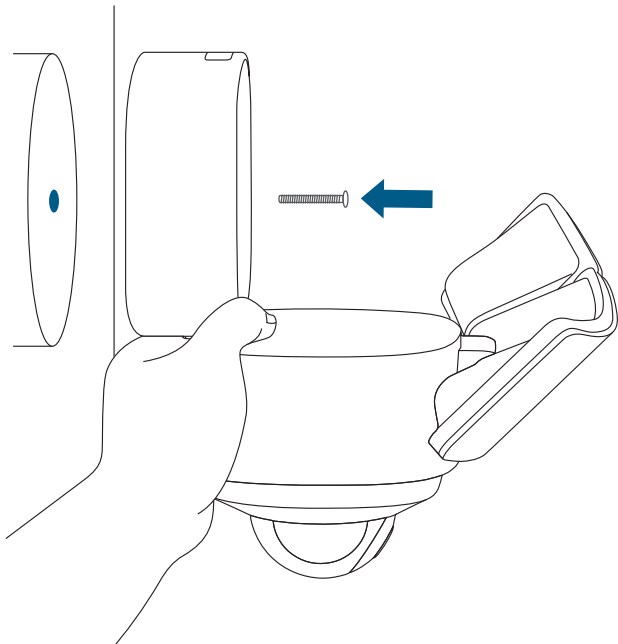
STEP 3. Mount the Floodlight Camera

1. Remove the hook, and press the button to open the mounting base.



2. Hold the mounting base, and insert the central screw through the center of the mounting base and screw it tightly. Use the central screw cap to cover the central screw to prevent it from rusting.

3. Cover the central screw with the provided cap.

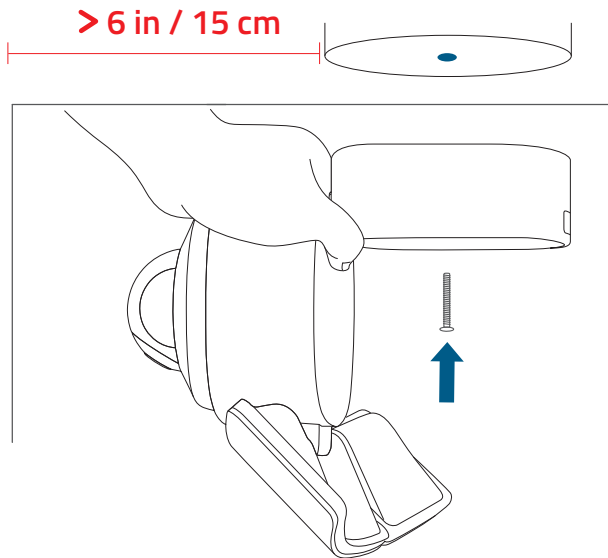


Side view makes it easier for you to align the screws.

4. Adjust the angle as mentioned in the section "**Adjusting the Lighting Angle**" to get the best view.
5. Remove the label and protective film on the Floodlight.

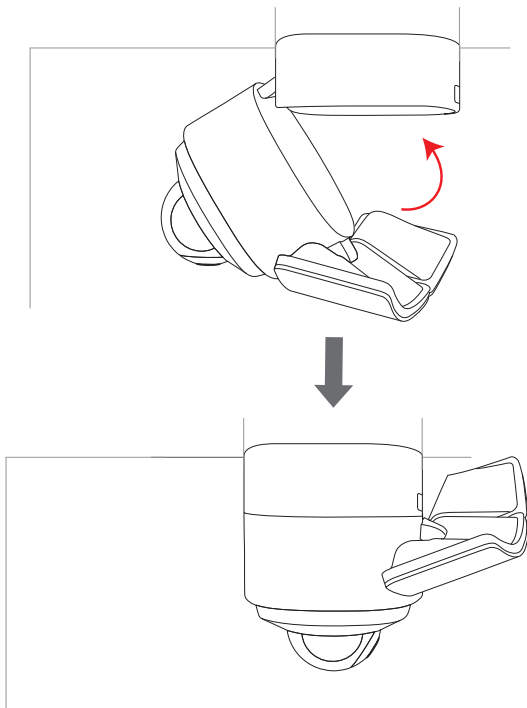
Mount Floodlight Camera on the Ceiling

1. Follow steps mentioned in the section “Mount Floodlight Camera onto a Wall” to choose the place for mounting and connect wires.
2. Insert the central screw through the center of the mounting base and screw it tightly.
3. Cover the central screw with the provided cap.



Make sure you place the Floodlight Camera more than 6 in / 15 cm away from a side wall.

4. Snap the camera onto its base.



5. Adjust the angle as mentioned in the section “Adjusting the Lighting Angle” to get the best view.

6. Remove the label and protective film on the Floodlight.

7. Switch on the main circuit breaker in the house.

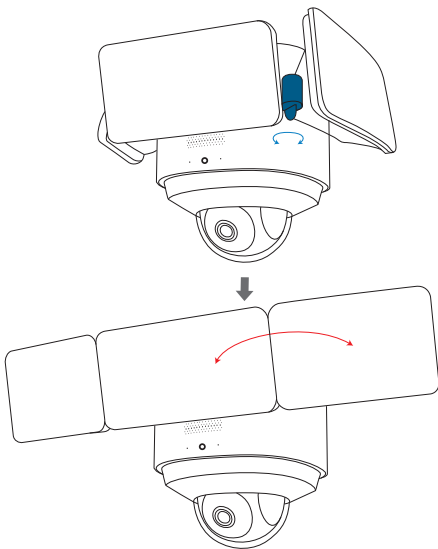


In case Floodlight Camera is not powered on, switch off the circuit breaker before checking the wiring of Floodlight Camera.

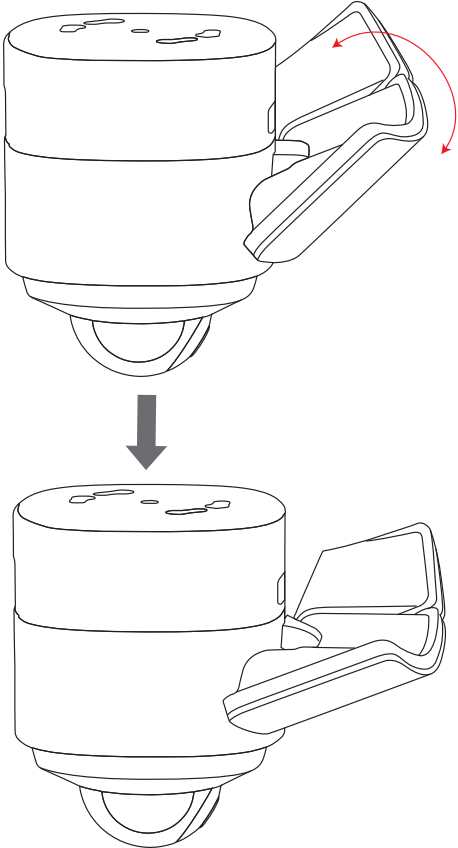
To avoid risk of shock, injury or death, always be cautious when working with electricity. Remember, do hire a professional electrician if you're uncomfortable working with electrical wiring.

ADJUSTING THE LIGHTING ANGLE

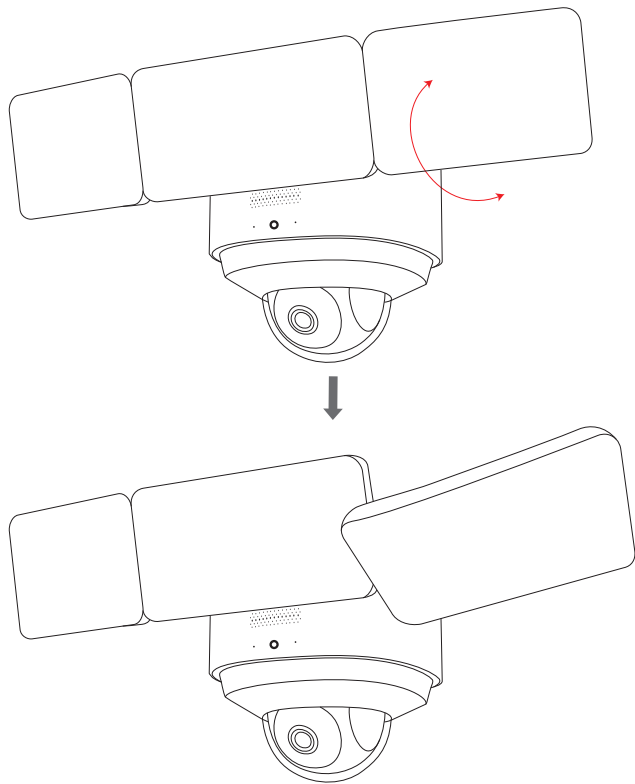
1. Turn the knobs counter-clockwise to extend the Floodlight. Adjust the Floodlight horizontally and then tighten the knobs by turning them clockwise.



2. Manually pull down the Floodlight in the middle.



3. Manually pull down the Floodlight on the side.



To check whether Floodlight Camera is operating, confirm the LED indicator has turned solid white.

For troubleshooting, check the Help section in the eufy Security app. Refer to the app page for what the LED indicator status lights mean.

NOTICE

FCC Statement

This device complies with Part 15 of the FCC Rules. Operation is subject to the following two conditions: (1) this device may not cause harmful interference, and (2) this device must accept any interference received, including interference that may cause undesired operation.

Warning: Changes or modifications not expressly approved by the party responsible for compliance could void the user's authority to operate the equipment.

Note: This equipment has been tested and found to comply with the limits for a Class B digital device, pursuant to Part 15 of the FCC Rules. These limits are designed to provide reasonable protection against harmful interference in a residential installation.

This equipment generates uses and can radiate radio frequency energy and, if not installed and used in accordance with the instructions, may cause harmful interference to radio communications. However, there is no guarantee that interference will not occur in a particular installation. If this equipment does cause harmful interference to radio or television reception, which can be determined by turning the equipment off and on, the user is encouraged to try to correct the interference by one or more of the following measures: (1) Reorient or relocate the receiving antenna. (2) Increase the separation between the equipment and receiver. (3) Connect the equipment into an outlet on a circuit different from that to which the receiver is connected. (4) Consult the dealer or an experienced radio/ TV technician for help.

FCC Radio Frequency Exposure Statement

The device has been evaluated to meet general RF exposure requirements. The device can be used in fixed/mobile exposure condition. The min separation distance is 20cm.

Notice: Shielded cables

All connections to other computing devices must be made using shielded cables to maintain compliance with FCC regulations.

The following importer is the responsible party

Company Name: POWER MOBILE LIFE, LLC

Address: 400 108th Ave NE Ste 400, Bellevue, WA 98004-5541

Telephone: 1-800-988-7973

IC Statement

This device complies with Industry Canada licence-exempt RSS standard(s).

Operation is subject to the following two conditions:

(1) this device may not cause interference, and

(2) this device must accept any interference, including interference that may cause undesired operation of the device."

Le présent appareil est conforme aux CNR d'Industrie Canada applicables aux appareils radio

exempts de licence. L'exploitation est autorisée aux deux conditions suivantes:

(1) l'appareil n' doit pas produire de brouillage, et

(2) l'utilisateur de l'appareil doit accepter tout brouillage radioélectrique subi, même si le brouillage est susceptible d'en compromettre le fonctionnement."

This Class B digital apparatus complies with Canadian ICES-003.

Cet appareil numérique de la classe B est conforme à la norme NMB-003 du Canada.

IC RF Statement:

When using the product, maintain a distance of 20cm from the body to ensure compliance with RF exposure requirements.

Lors de l'utilisation du produit, maintenez une distance de 20 cm du corps afin de vous conformer aux exigences en matière d'exposition RF.

Anker Innovations Limited

Room 1318-19, Hollywood Plaza, 610 Nathan Road, Mongkok, Kowloon, Hong Kong

Customer Service

▪ Warranty

12-month limited warranty

▪ Call Us

United States	+1 (800) 988 7973	Mon-Fri 9AM-5PM (PT)
United Kingdom	+44 (0) 1604 936 200	Mon-Fri 6AM-11AM (GMT)
Germany	+49 (0) 69 9579 7960	Mon-Fri 6:00-11:00

▪ Email Us

Customer Support: support@eufylife.com



@EufyOfficial



@EufyOfficial



@EufyOfficial

