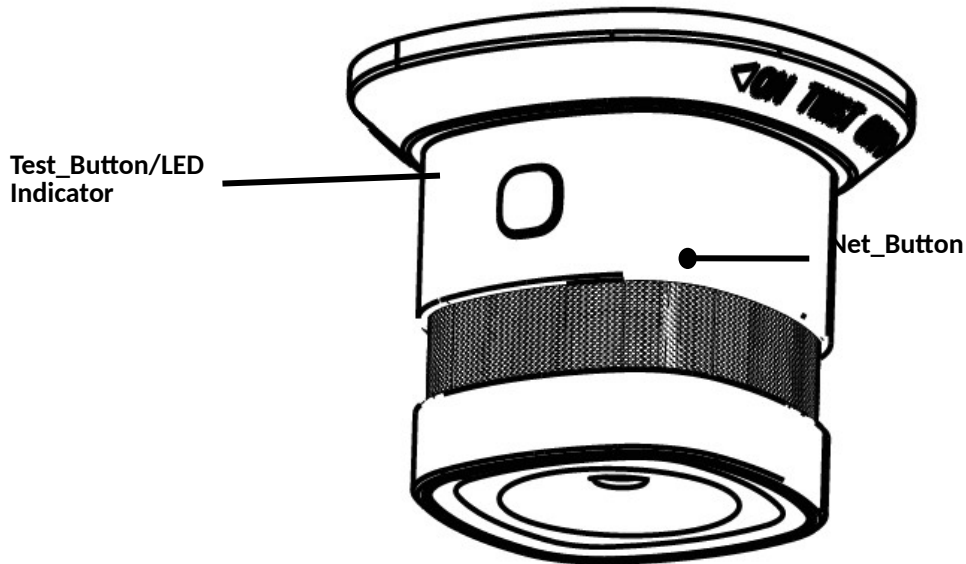


HS1SA-Z

Z-Wave Device Guide Document



1-Device Inclusion

- Click [Add] icon in Z-Wave PC Controller Program.
- Press the Net_Button 3 times within 1.5s, Green LED is Blinking 3 times within 1 second.
- If Inclusion Process is successful, Green led will turn off.

2-Device Exclusion

- Click [Remove] icon in Z-Wave PC Controller Program
- Press the Net_Button 3 times within 1.5s
- If Exclusion Process is successful, Green led is Blinking 6 times, then turn off.

3-Device test mode

if Inclusion process is successful, Press Test_Button to test if the device is working normally.
Red LED blinks 3 times when smoke is detected.

4-Device detection mode

if Inclusion process is successful, the device will report alarm information if detect the status change of smoke and no smoke . Red LED blinks quickly when smoke is detected.

5-Device Factory Reset

- Long press Net_Button while installing batteries in HS1SA-Z.
- Device Reset Locally notification is Transmitted.
- Please use this procedure only when the network primary controller is missing or otherwise inoperable.

6-Association & Association Group Information

- Lifeline between controller and HS1SA-Z

- Supported command classes

Battery report, Notification report, and Device Reset Locally notification, Binary report.

- Maximum supported nodes are 5.

- Association Group description

Association group 1: Lifeline association group

Include command classes: Battery report, Notification report, and Device Reset Locally notification, Binary report.

- ▶ Association group 2: Root Device group(Binary Sensor)

Binary Sensor Command Class: Compatible with 300 series

- 1- Binary Sensor reports status of smoke or no smoke via Lifeline.

- 2-When the sensor detects status change between smoke and no smoke, the device will be triggered.

- ▶ Association group 3: Root Device group(Notification)

- 1- Notification reports reports status of detect smoke or no smoke via Lifeline.

- 2- When the sensor detects status change between smoke and no smoke, the device will be triggered.

7-Notification Report

-Press or release test button, or smoke status is changed(smoke detected or no smoke detected) , Notification Report is transmitted

Notification Type	Event
Smoke Alarm (0x01)	Previous Events cleared (0x00)
	Smoke detected, Unknown Location(0x02)

8-Battery Report

- Battery Report is transmitted when power on the device.

- Battery Report is transmitted once a day.

- Battery Report is transmitted when the battery falls less than 10%

-

Battery Voltage	Battery Level
2.4V ~ 3.0V	10~ 100 (%)
Under 2.4V	0xFF

9-Wake up Notification

- Wake up Notification is transmitted every 24 hours by default.
- Wake up Notification is transmitted after Notification Report is Transmitted

10-Devices from multiple manufacturers in one network

- This product can be included and operated in any Z-Wave network with other Z-Wave certified devices from other manufacturers and/or other applicants. All non-battery operated nodes within the network will act as repeaters regardless of vendor to increase reliability of the network.

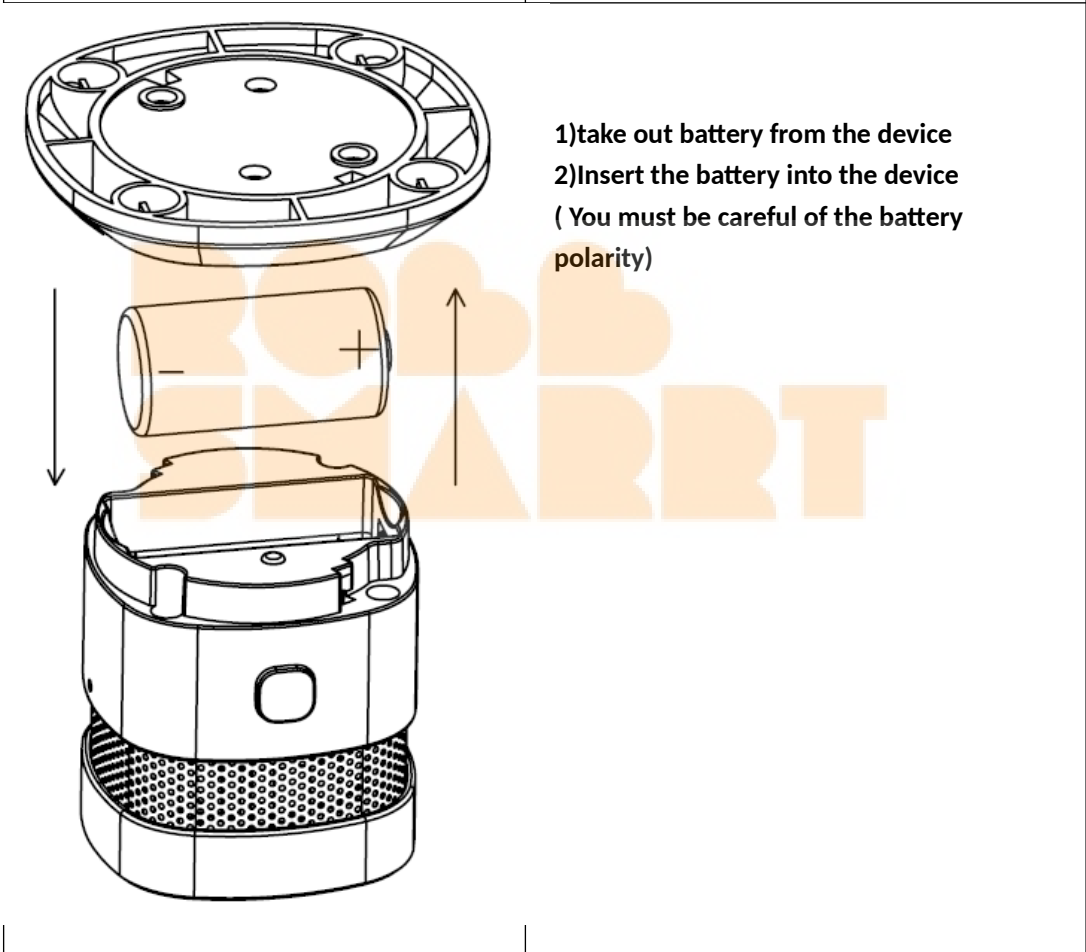
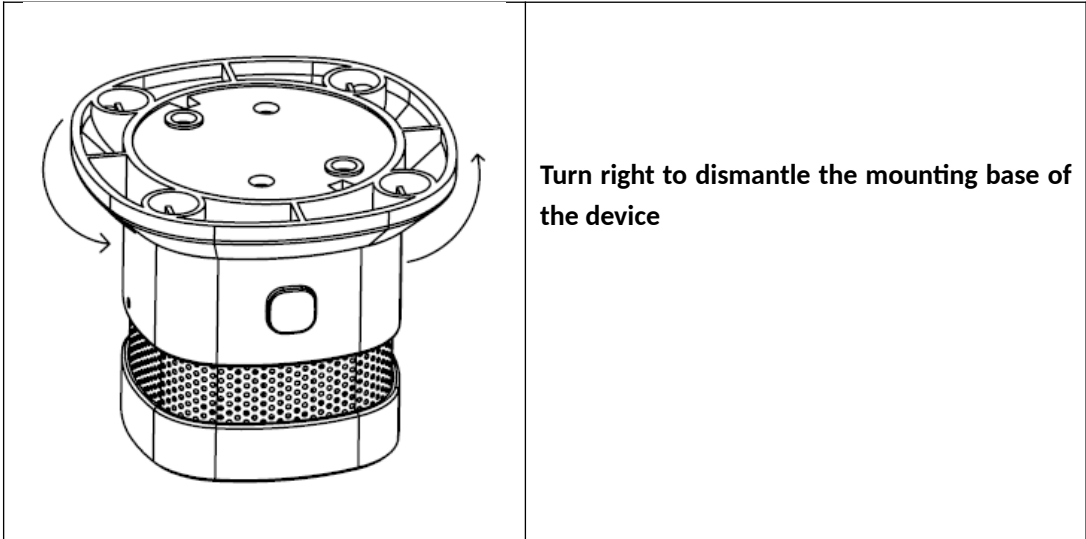
11-Z-Wave Specifications

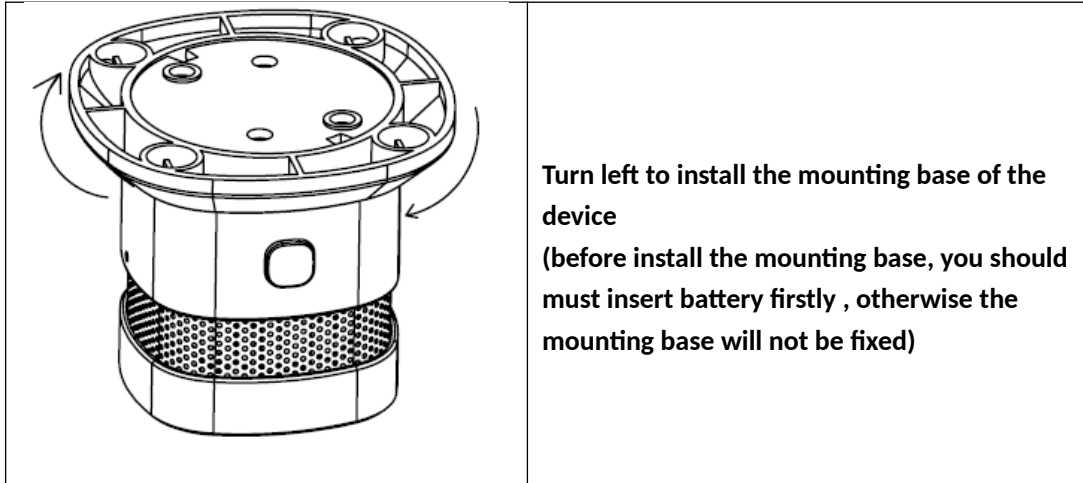
- Device Type : Sensor - Notification
- Role Type : RSS (Reporting Sleeping Slave)
- Command Class Support/Control
 - ☐ ▶ Z-Wave plus info
 - ☐ ▶ Version
 - ☐ ▶ Manufacture Specific
 - ☐ ▶ Notification
 - ☐ ▶ Device Reset Locally
 - ☐ ▶ Association Group Information
 - ▶ Association
 - ☐ ▶ Battery
 - ☐ ▶ Wake Up
 - ☐ ▶ Power Level
 - ▶ Binary Sensor

12-Indicate LED statues description-

status	LED status	Alarm sound
Normal	Red LED flash every 53s	No sound
Test mode	Red LED flash quickly	Sound“Di-Di-Di”loudly
Alarm	Red LED flash quickly	Sound“Di-Di-Di”loudly
Silence mode	Red LED flash 1 time every 10 seconds	No sound
Low battery	Red LED flash 1 time every 53 seconds	Sound “Di” every 53 seconds
Fault	Red LED flash 2 times every 53 seconds	Sound “Di” twice every 53 seconds

13-How to replace the batteries





14-Technical Specifications

Model No.	HS1SA-Z
RF frequency	868.40- 869.85 MHz
RF operating distance	Up to 100m outdoor line of sight Up to 40m indoor
Powered by	1 x CR123A
Temperature	-10°C~ 50°C
Humidity	95% max
Weight	69.2g (batteries)