

# MATRIX 55

MODEL ZDB5400

Discover our new, innovative wall switch MATRIX 55 that adds light and wireless technology to the traditional wall switch.

With its built-in universal dimmer, backlit pushbuttons and wireless Z-Wave communication, MATRIX 55 really outsmarts your old wall switches.

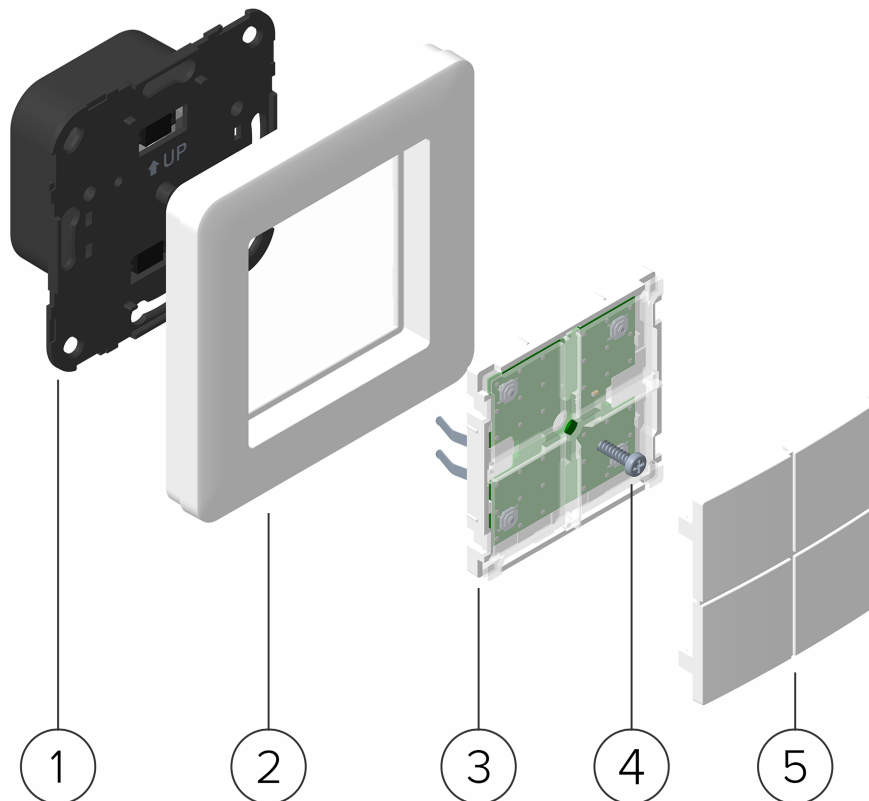
The front is elegantly designed with a uniform diffused backlight in each square. The squares can light up in all colors which can be used to show the status of a lamp, as orientation light during nighttime, visual alarm and much more.

Each square is a tactile switch that can hold up to four functions and control either a wired lamp or other Z-Wave devices, e.g. other light dimmers, roller shutters and power plugs.

The light dimmer can dim all dimmable light sources from 0-250 W.

The MATRIX 55 insert fits in standard 60mm CE boxes. The front module fits with various European design frames e.g. GIRA System 55, Exxact and Elko Plus. The insert is even compatible with GIRA pushbutton sensor 2.





## CONSTRUCTION

- (1) **THE INSERT** contains all the magic and fits with standard CE wall boxes (60 mm).
- (2) **A DESIGN FRAME** of your choice with inner dimension 55×55 mm – buy separately
- (3) **THE FRONT MODULE** has LED diodes and metal springs to fasten the front module to the insert
- (4) **THE ANTI-THEFT SCREW** makes Matrix 55 suitable for public buildings and businesses
- (5) **THE PUSHBUTTON** is made from translucent white plastic that matches existing modules and cover frames on the market

## TECHNICAL SPECIFICATIONS

<b>DIMENSIONS:</b>	H 70 mm x W 70 mm x D 39 mm
<b>POWER SUPPLY:</b>	230V AC / 50Hz
<b>POWER CONSUMPTION:</b>	Max. 0.8W / 0.5W standby
<b>LOAD:</b>	0-250 W resistive / 0-200 VA inductive
<b>CLAMPS:</b>	Push-in clamps: 0.2 – 2.5 mm <sup>2</sup> / 20 – 14 AWG
<b>RADIO PROTOCOL:</b>	Z-Wave: 868.4MHz – 500 Series
<b>RADIO RANGE:</b>	40 m indoor / 80 m outdoor
<b>PROTECTION RATING:</b>	IP20