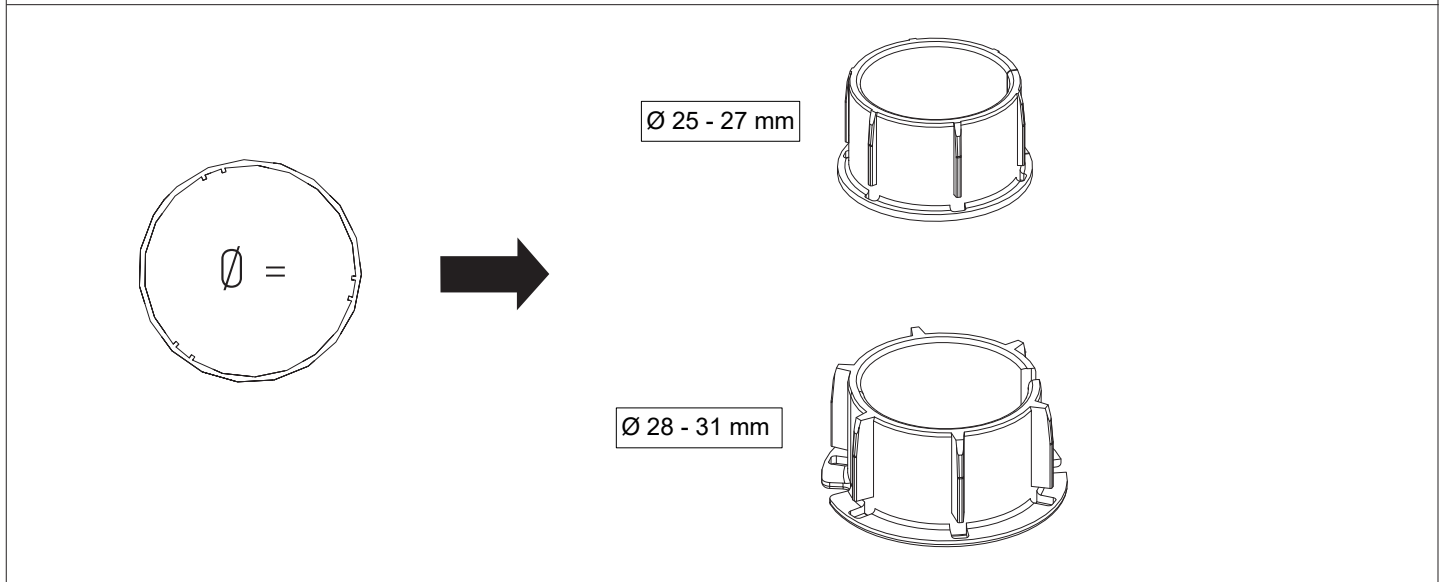
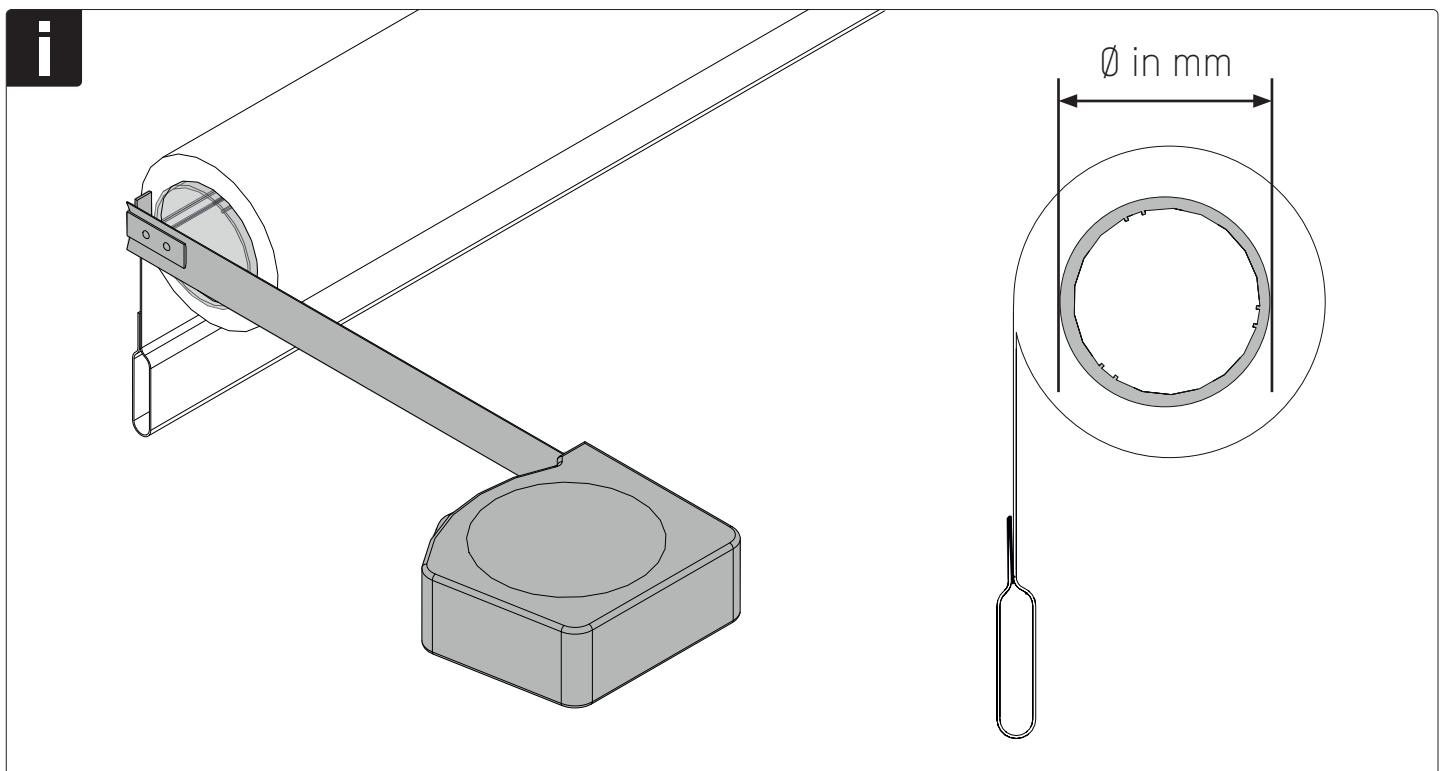
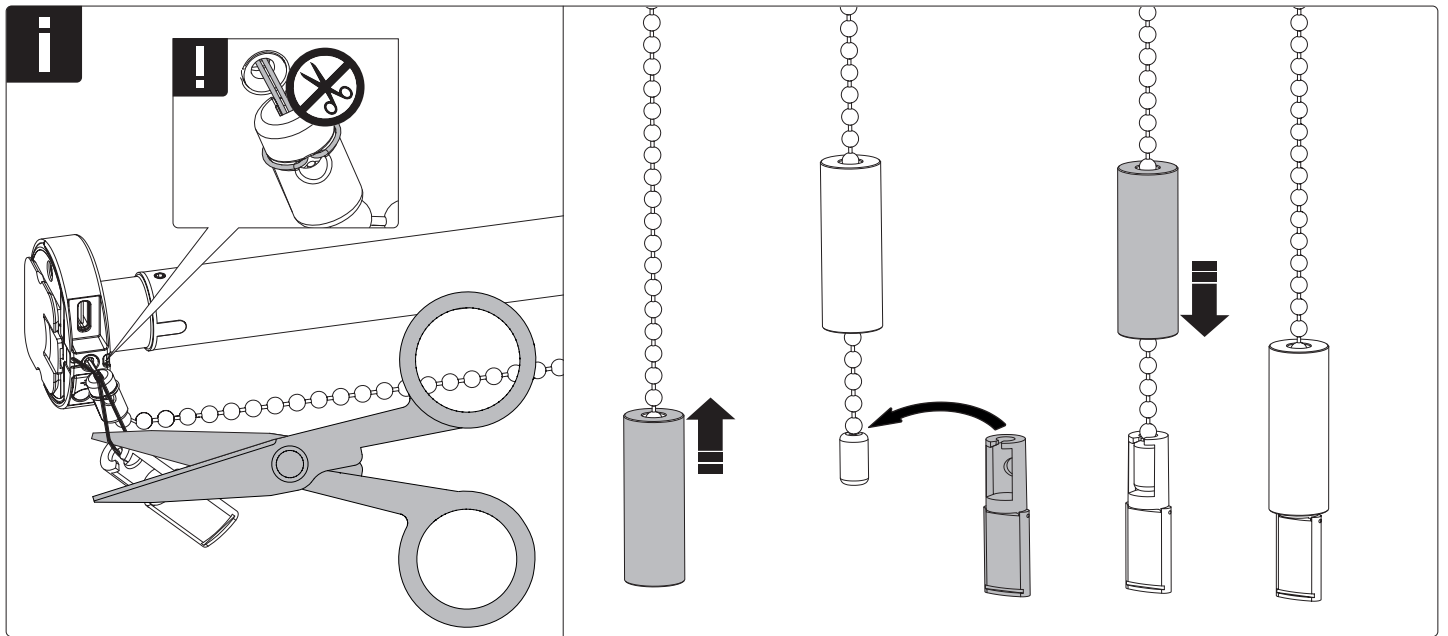
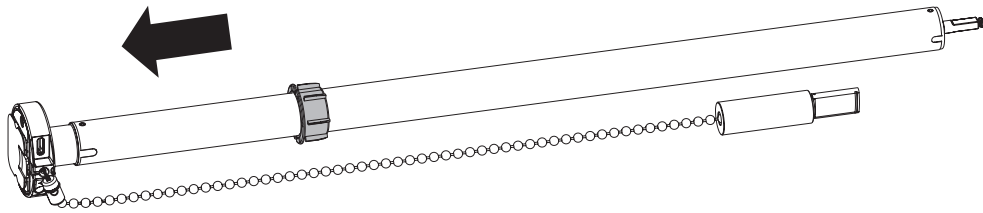


MN220013\_20220808

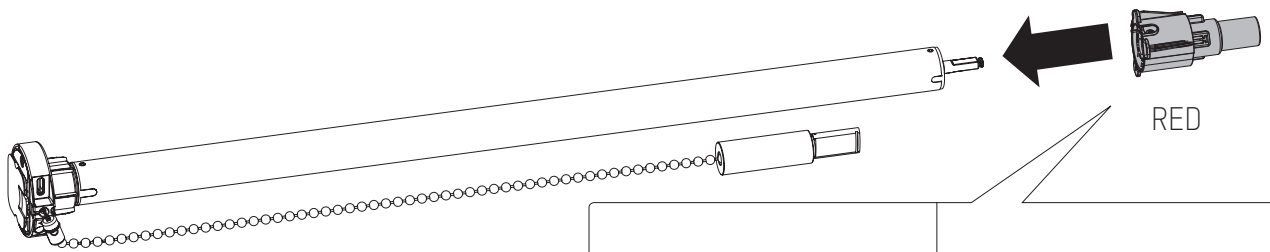


MN220013\_20220808

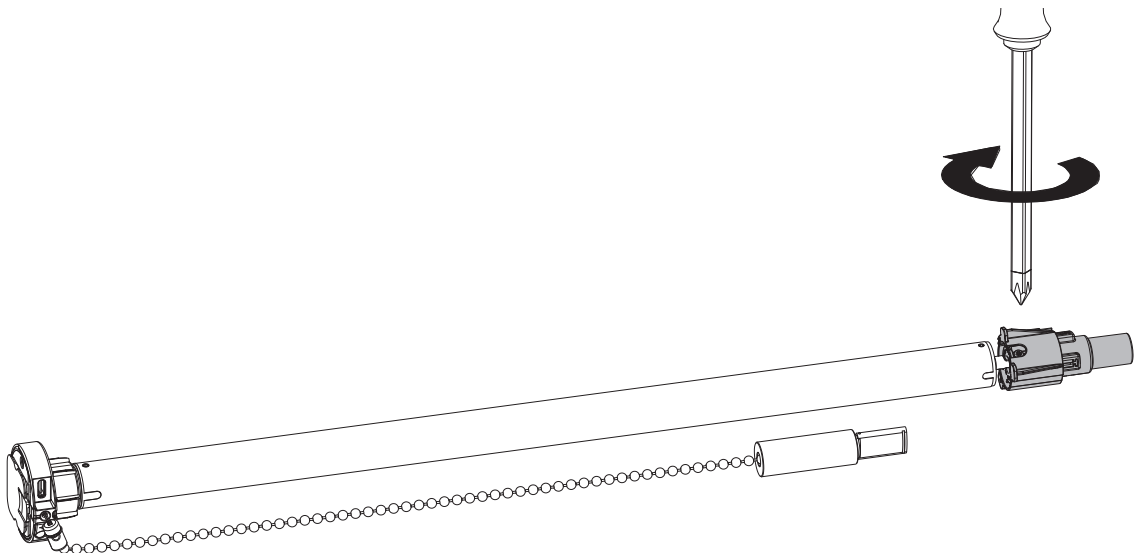
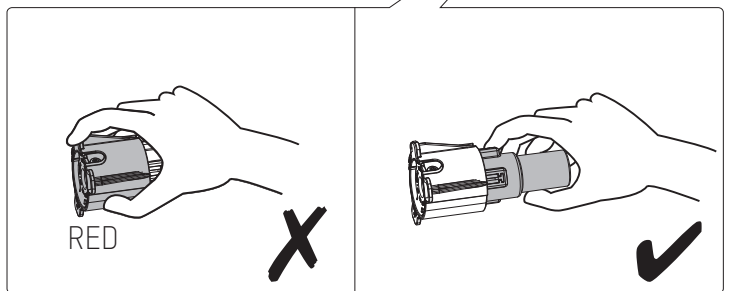
1



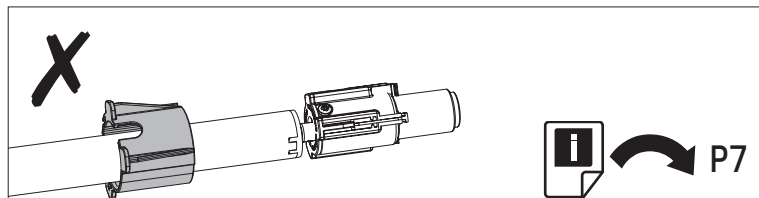
1



2

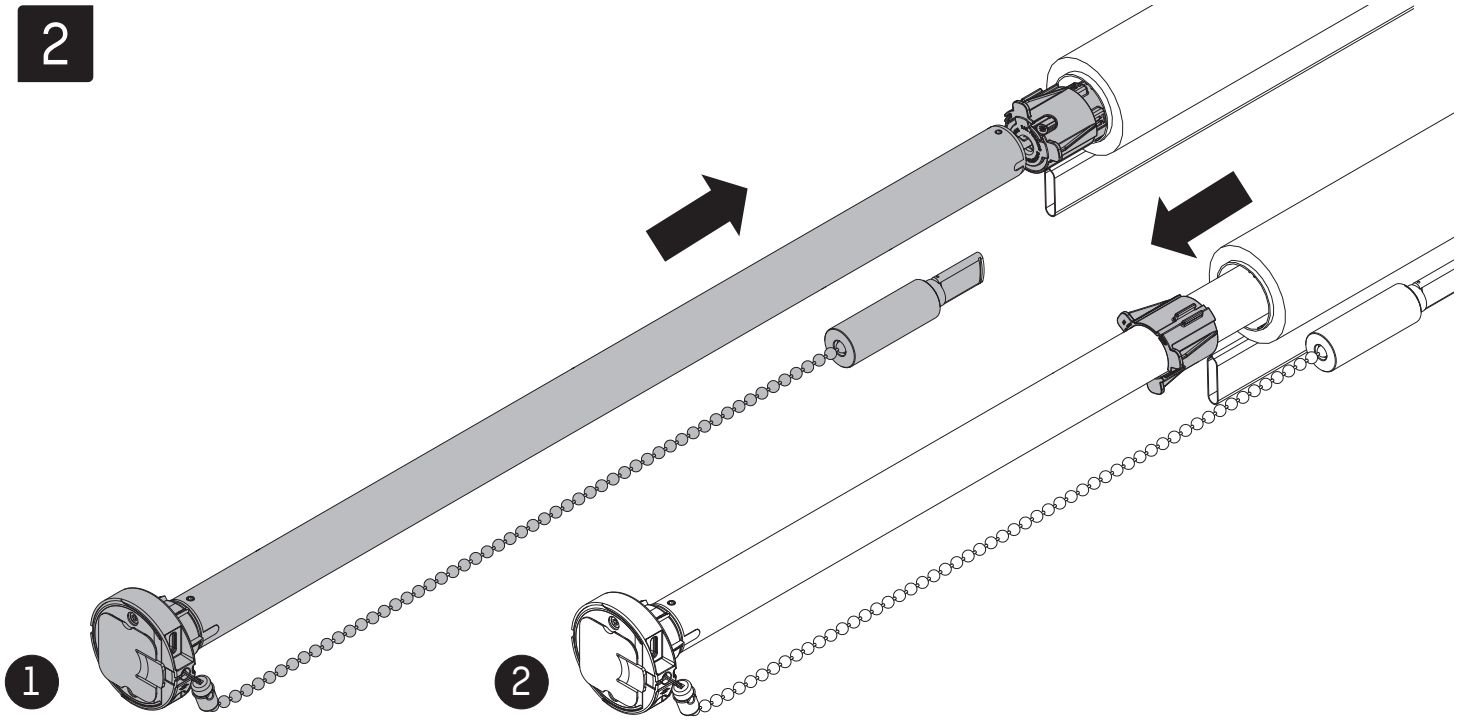


3



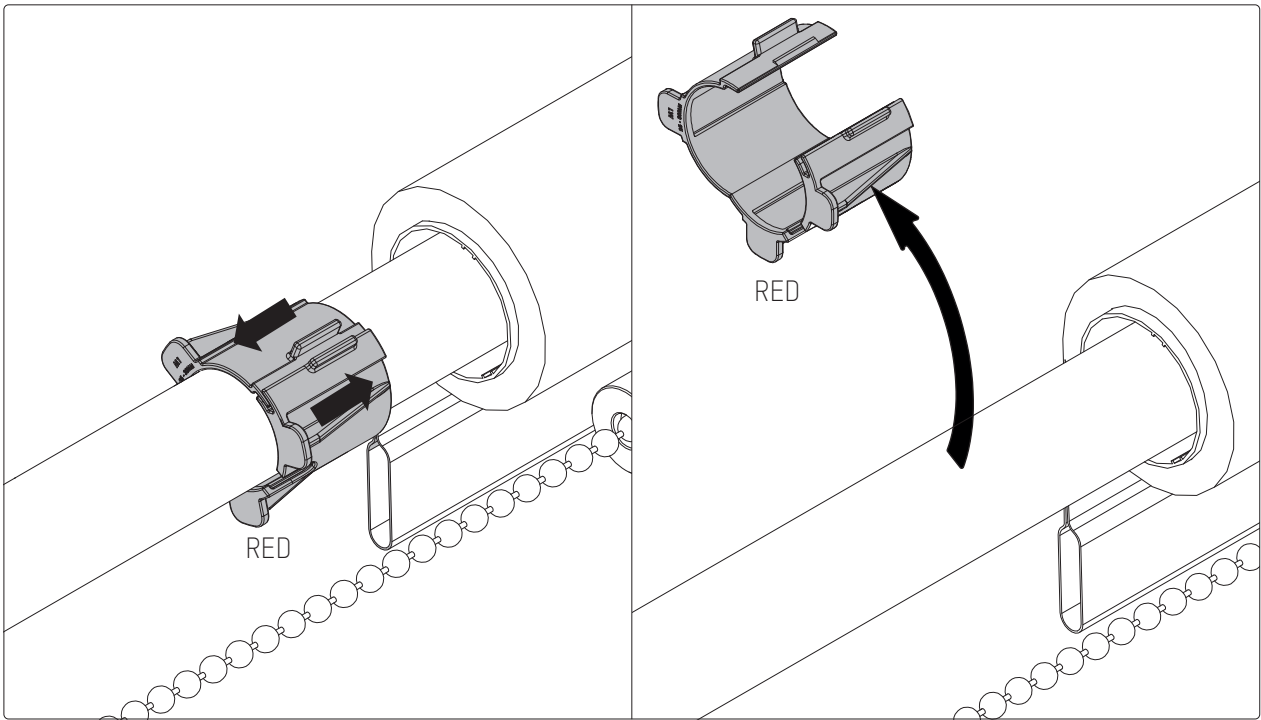
MN220013\_20220808

2



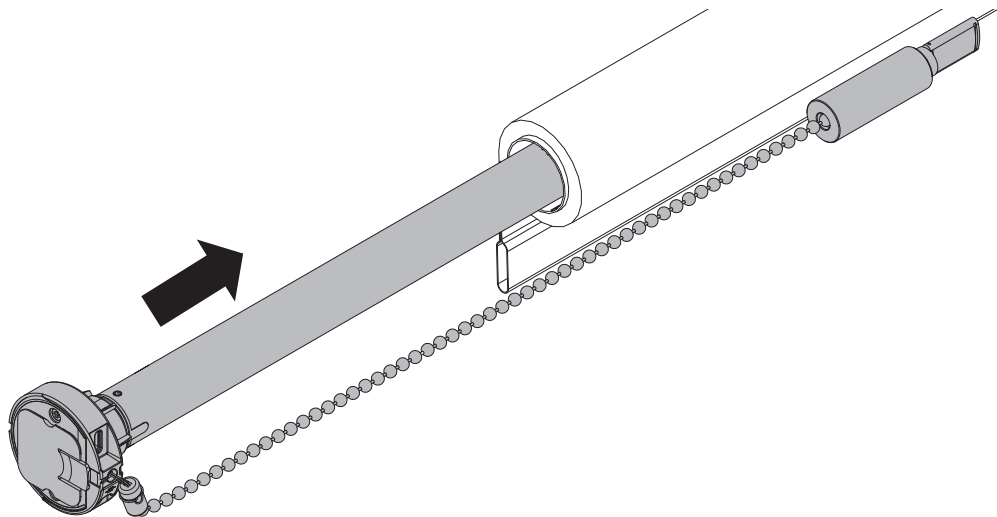
1

2



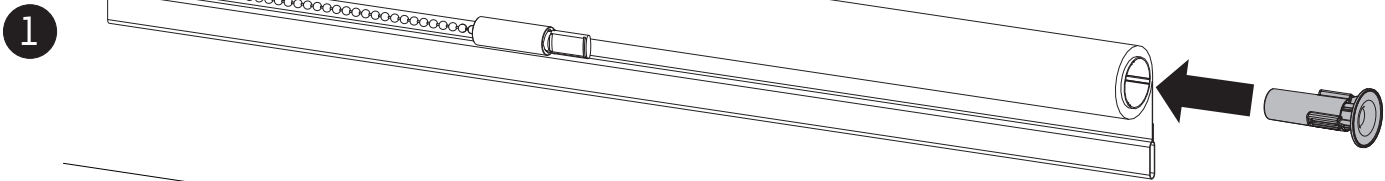
3

3



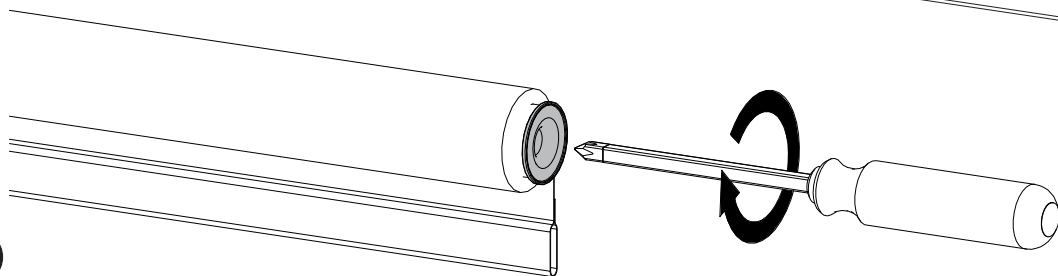
MN220013\_20220808

4

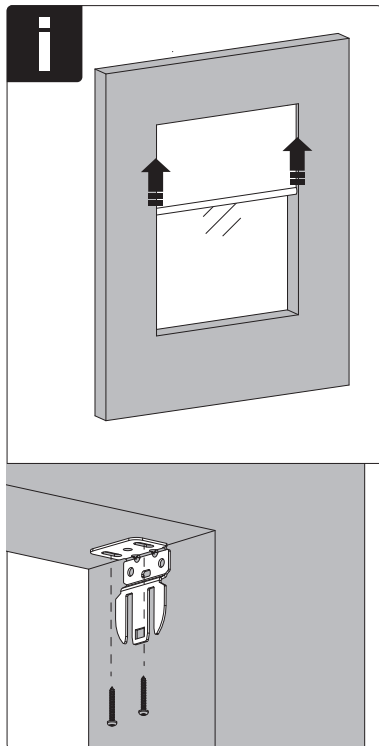
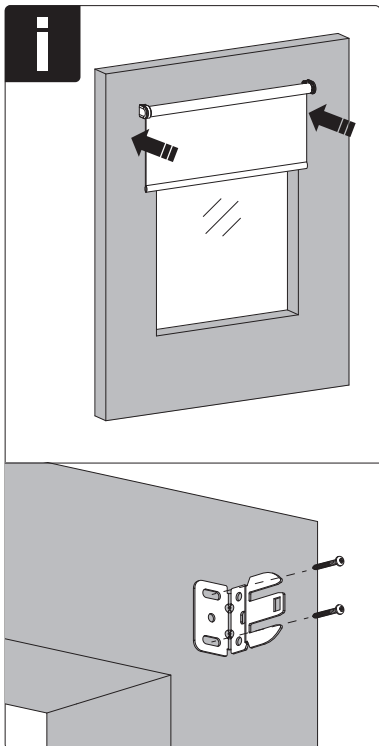
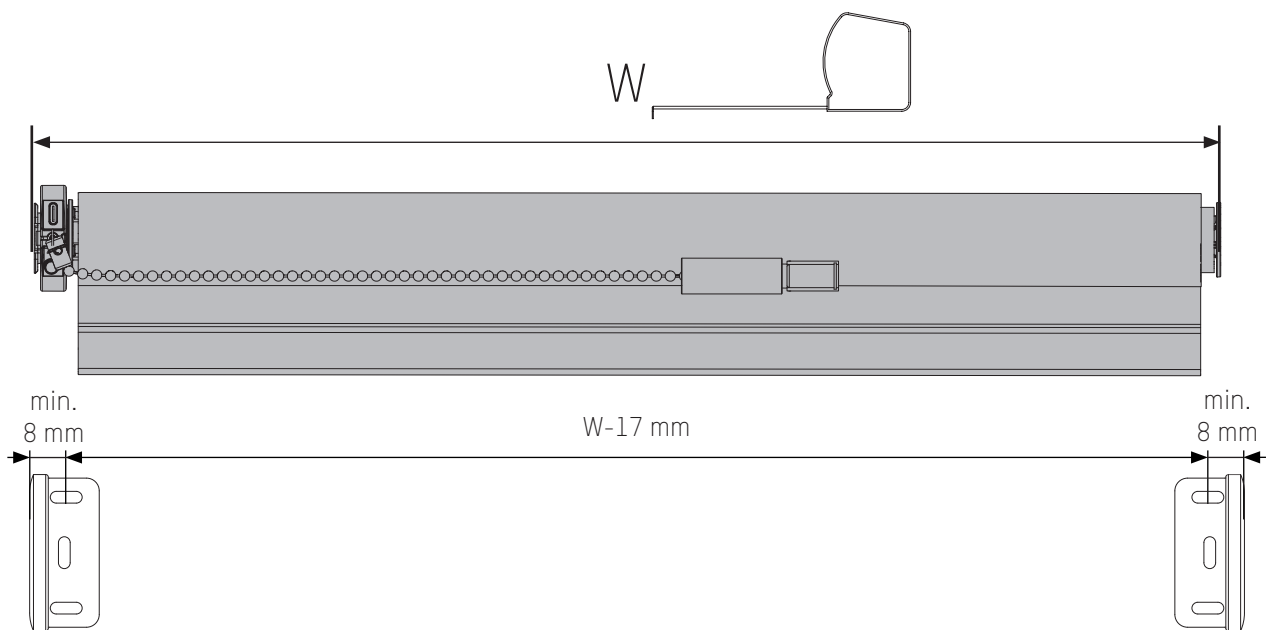


1

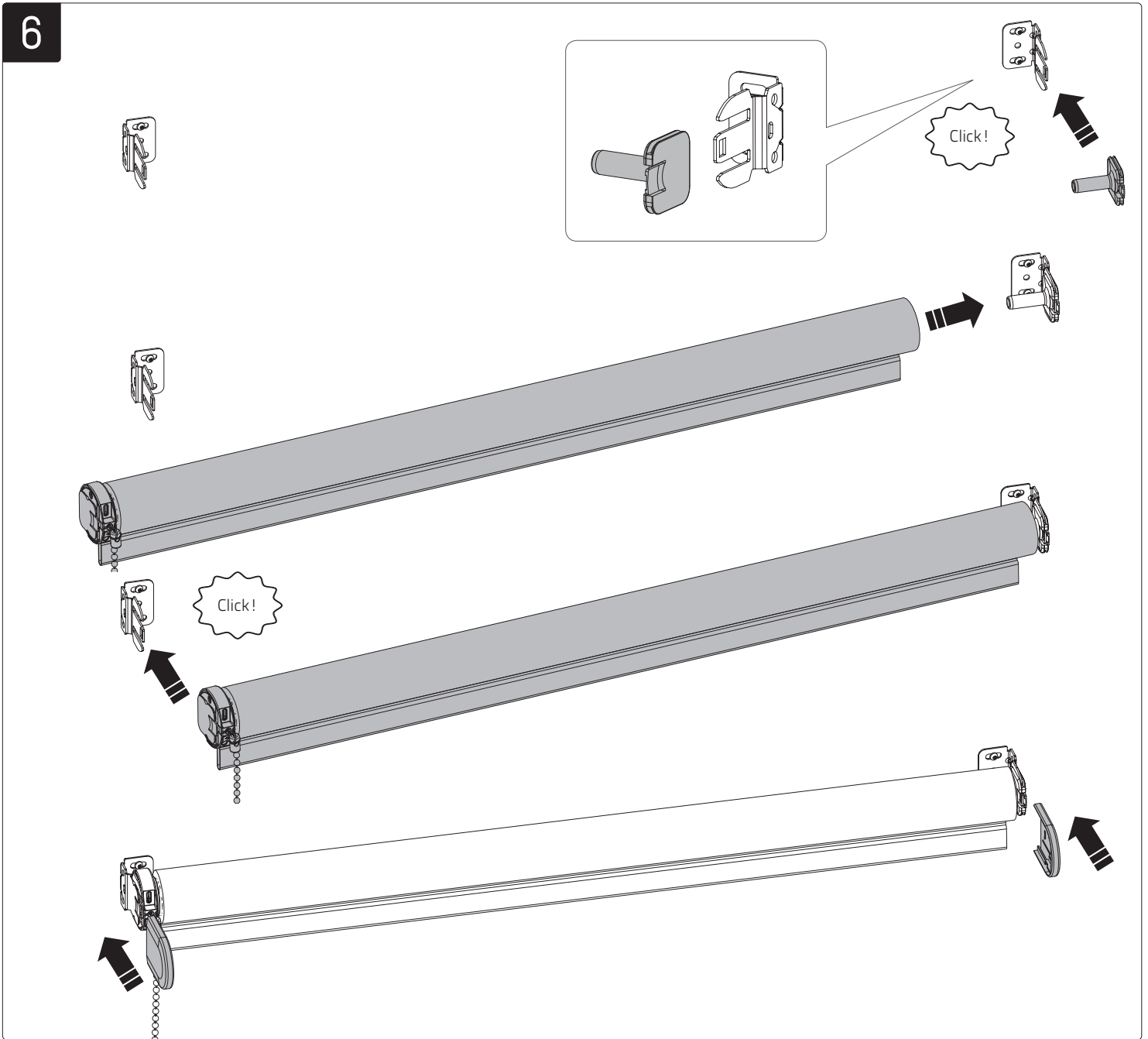
2



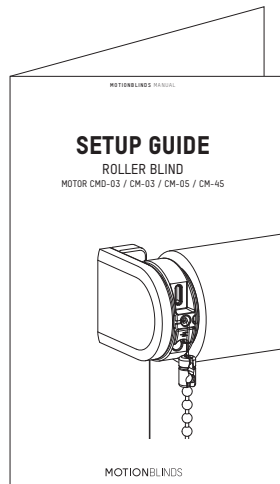
5



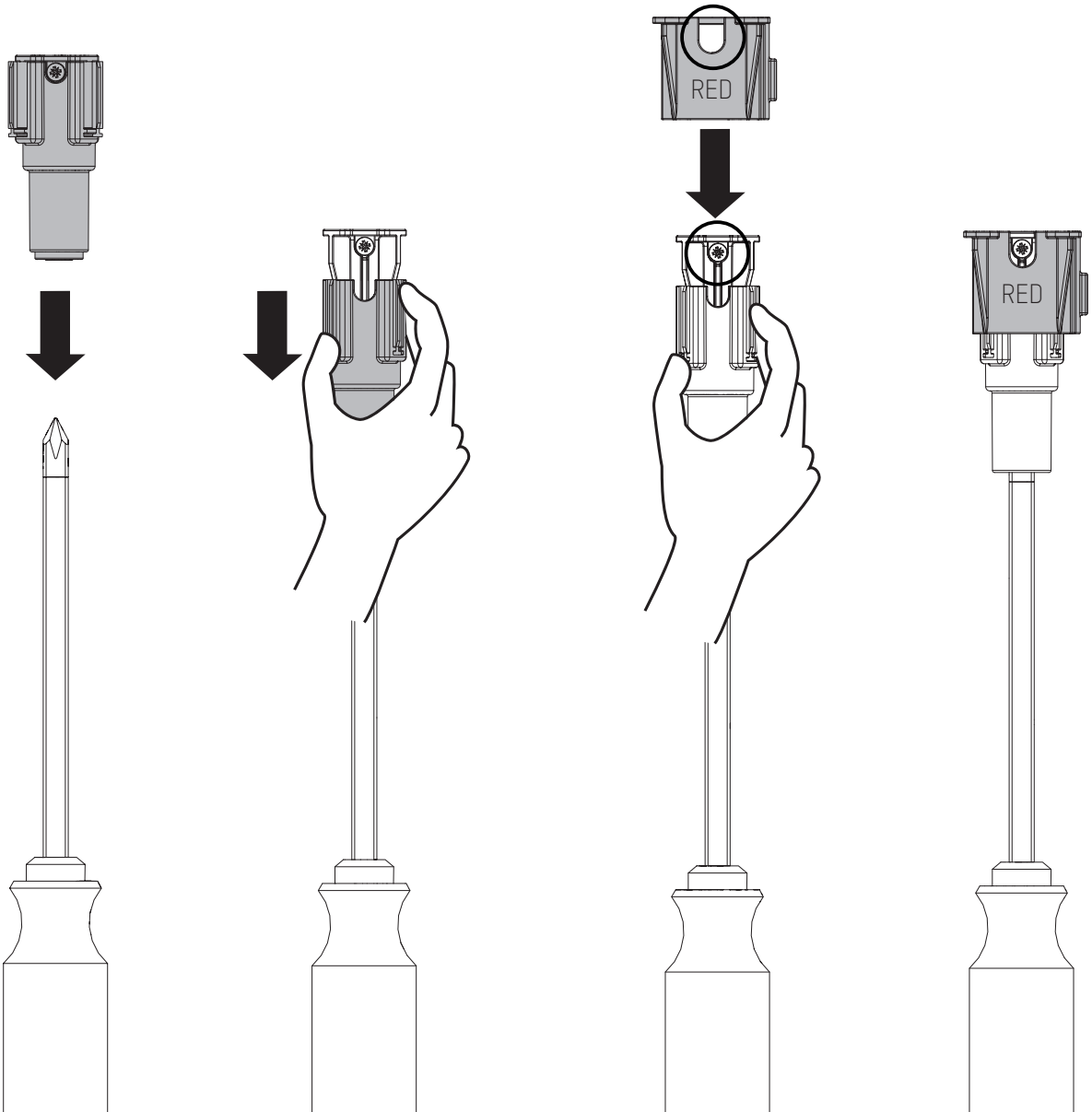
MN220013\_20220808



Follow the steps in the manual CMD-03 to activate the blind:



## **i** Troubleshoot



**i** For more information and support:



[rtube.nl/red1910](https://rtube.nl/red1910)