

# ZigBee Wireless Dimmer Switch

70100034



**Important:** Read All Instructions Prior to Installation

## Function introduction

Press and hold down both to search and pair to ZigBee network or factory reset the dimmer switch

Group 1  
Click to turn on. Press and hold down to increase light intensity.

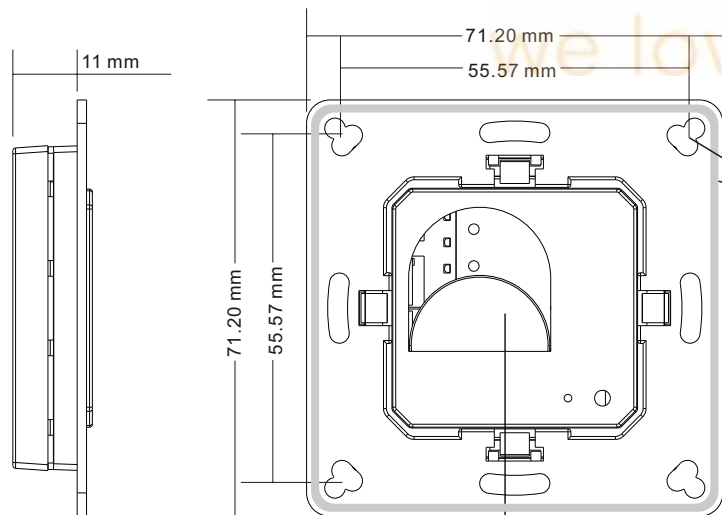
Group 1  
Click to turn off. Press and hold down to decrease light intensity.

Group 2

Group 2

**Note: This switch supports 2 groups for binding max. 30 lighting devices.**

Front side



Battery: CR2450  
Before the first use, please remove the protective film

Back side

The remote control can be fixed on the wall with 3M glue or screw.

## Product Data

Protocol	ZigBee 3.0
Operation Voltage	3VDC (CR2450)
Transmission Frequency	2.4GHz
Transmission Range (free field)	30m
Protection Type	IP20
Dimming Range	0.1%-100%
Dimensions	71.2x71.2x13.6mm

- ZigBee dimmer switch based on ZigBee 3.0
- Enables to pair ZigBee lighting devices via touchlink commissioning without coordinator
- Supports find and bind mode to pair with ZigBee lighting devices
- Supports 2 groups for binding max. 30 lighting devices
- 2.4 GHz global operation
- Long battery life mesh technology
- Transmission range up to 30m
- Compatible with universal ZigBee Gateway products
- Compatible with universal single color ZigBee lighting devices

### .ZigBee Clusters Supported by This Remote Are As Follows:

#### Input clusters:

- Basic
- Power Configuration
- Identify
- Diagnostics

#### Output clusters:

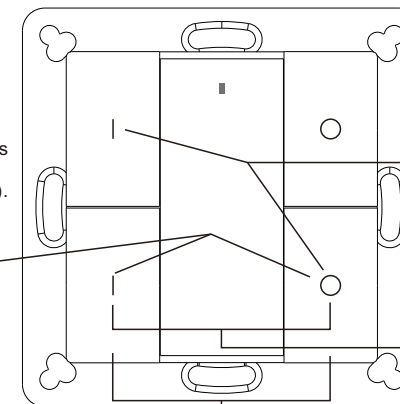
- Identify
- Group
- On/off
- Level control
- Ota

### Safety & Warnings

- This device contains a button lithium battery that shall be stored and disposed properly.
- DO NOT expose the device to moisture.
- Do not ingest battery, Chemical Burn Hazard
- This product contains a coin / button cell battery. If the coin / button cell battery is swallowed, it can cause severe internal burns in just 2 hours and can lead to death
- Keep new and used batteries away from children.
- If the battery compartment does not close securely, stop using the product and keep it away from children.
- If you think batteries might have been swallowed or placed inside any part of the body, seek immediate medical attention

### Quick Start (Simplified operation compared to standard operations in the part "Operation")

Factory reset: click both buttons 3 times (the remote should already be paired to a gateway).



**Touchlink + Add Group 1:**  
Press and hold down both keys for 3 seconds to start touchlink and link light device to group 1.

**Touchlink + Add Group 2:**  
Press and hold down both keys for 3 seconds to start touchlink and link light device to group 2.

Network pairing mode: click both buttons 3 times (the remote should not belong to any gateway network).

## Operation

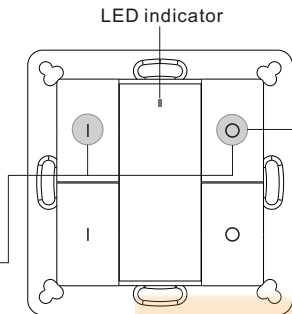
1. This ZigBee Dim remote is a wireless transmitter that communicates with a variety of ZigBee compatible systems. This transmitter sends wireless radio signals that are used to remotely control a compatible system.

2. This ZigBee remote supports 2 groups for binding max. 30 lighting devices and enables to control single color ZigBee lighting devices.

## 3. Zigbee Network Pairing through Coordinator or Hub (Added to a Zigbee Network)

**Step 1:** Remove the remote from previous zigbee network if it has already been added to it, otherwise pairing will fail. Please refer to the part "Factory Reset Manually".

**Step 3:** Press and hold down both buttons until LED indicator turns on.



**Step 2:** From your zigbee controller or hub interface, choose to add device or accessory and enter Pairing mode as instructed by the controller.

**Step 4:** Immediately short press to search nearby network, indicator flashes every 1 second, 20 seconds timeout if there is no network. Indicator will then blink 5 times quickly for successful pairing.

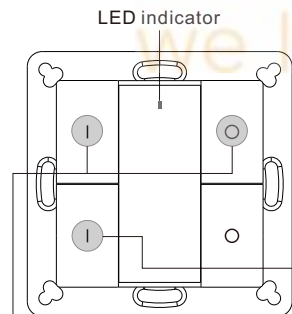
**Note:** 1) After pairing successfully, the remote information will appear on the controller or hub interface.  
2) No remote information will appear on the hub interface if pairing to Philips Hue Bridge.

## 4. TouchLink to a Zigbee Lighting Device

**Step 1:** Set the zigbee lighting device to start TouchLink commissioning, please refer to its manual to learn how.

**Step 3:** Short press ON button | of group 1/2 to choose a group that you would like to pair the device to.

**Step 4:** Press and hold down both buttons until LED indicator turns on.

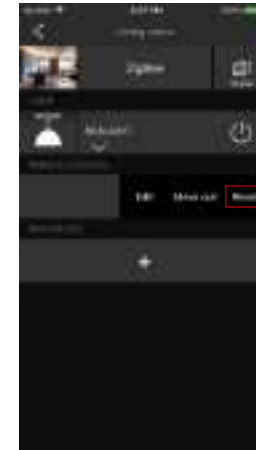


**Step 2:** Bring the remote within 10cm of the lighting device.

**Step 5:** Immediately short press to start TouchLink commissioning of the remote. LED indicator flashes fast for 3S, then flash 6 times slowly to indicate successful pairing to the device and the light connected to the device will blink twice.

**Note:** 1) Directly TouchLink (both not added to a ZigBee network), please first factory reset both the remote and device, each remote can link with max. 30 devices, please make sure the first linked device is always powered on when touchlink the remote with 2nd device and more devices.  
2) TouchLink after both added to a ZigBee network, each device can link with max. 30 remotes.  
3) To control by both remote and hub, add both remote and device to network first then TouchLink, after TouchLink, the device can be controlled by the linked remotes and Zigbee hub together.

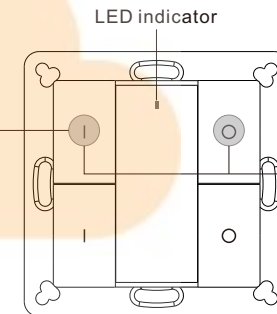
## 5. Removed from a Zigbee Network through Coordinator or Hub Interface



From your ZigBee controller or hub interface, choose to delete or reset the remote as instructed, indicator flashes 3 times quickly to indicate successful removing.

## 6. Factory Reset Manually

**Step 2:** Immediately short press 5 times continuously, indicator flashes 3 times quickly to indicate successful reset.



**Note:** All configuration parameters will be reset after the remote is reset or removed from the network.

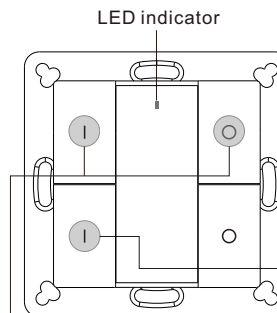
**Step 1:** Press and hold down both buttons until LED indicator turns on.

## 7. Remove a Touchlink Paired ZigBee Lighting Device

**Step 1:** Set the Touchlink paired zigbee device to start TouchLink commissioning, please refer to its manual to learn how.

**Step 3:** Short press ON button | of group 1/2 to choose a group that the device was touchlink paired to.

**Step 4:** Press and hold down both buttons until LED indicator turns on.

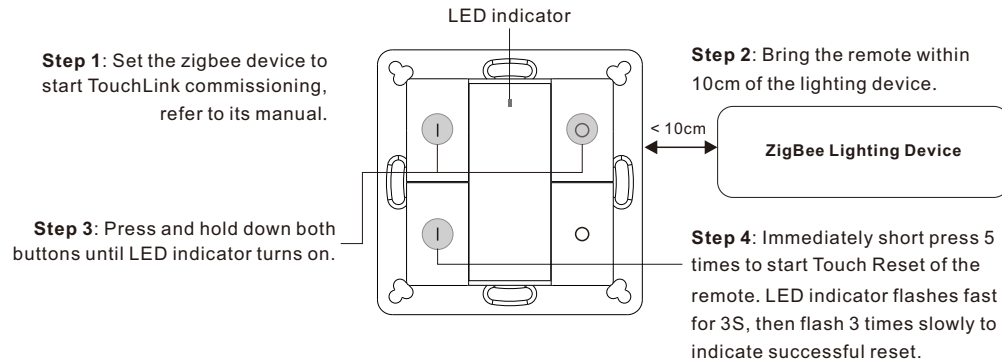


**Step 2:** Bring the remote within 10cm of the lighting device.

**Step 5:** Immediately short press twice to start TouchLink removing of the remote. LED indicator flashes fast for 3S, then flash 6 times slowly to indicate successful removing.

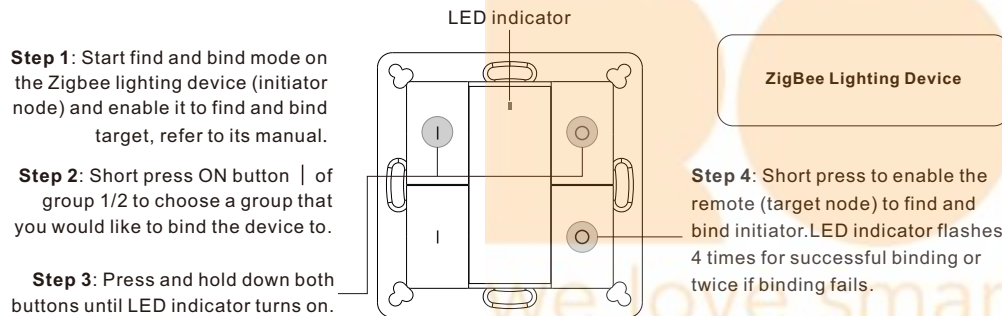
## 8. Factory Reset a Lighting Device (Touch Reset)

**Note:** the device shall be added to a network, the remote added to the same one or not added to any network.



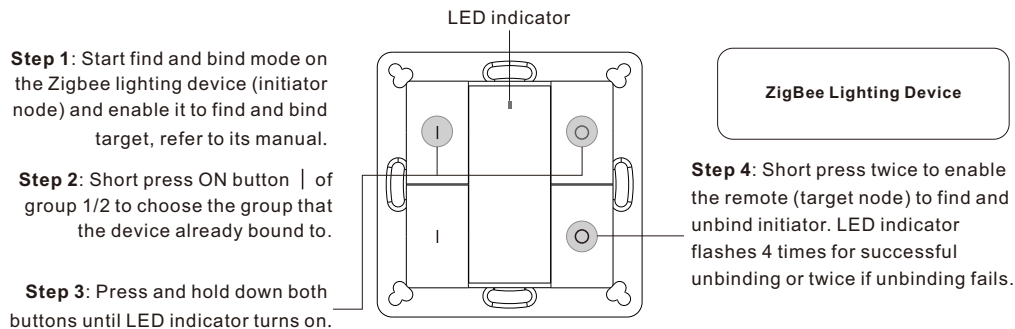
## 9. Find and Bind a Zigbee Lighting Device

**Note:** Make sure the device and remote already added to the same zigbee network.

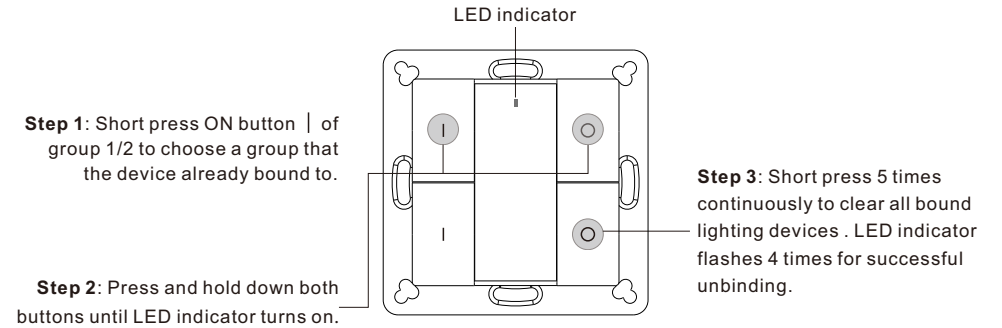


**Note:** Each remote can bind max. 30 lighting devices.

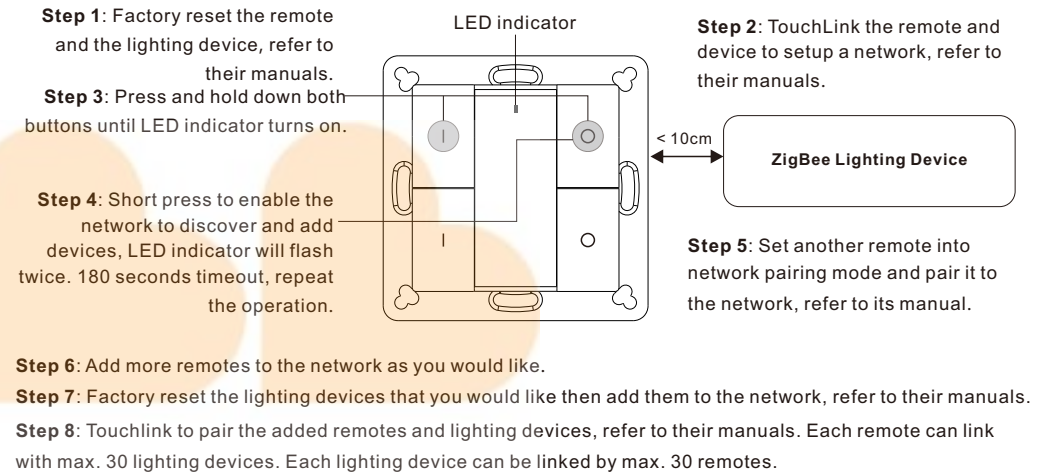
## 10. Find and Unbind a Zigbee Lighting Device



## 11. Clear All Find and Bind Mode Paired Lighting Devices



## 12. Setup a Network & Add Devices to the Network (No Coordinator or Hub Required)



## 13. OTA

The remote supports firmware updating through OTA, and will acquire new firmware from zigbee controller or hub every 10 minutes automatically.

## 14. How to Check Whether the Remote Belongs to a Network or not

Short press any button, indicator blinking means the remote has already been added to a network. No blinking of indicator means the remote does not belong to any network.

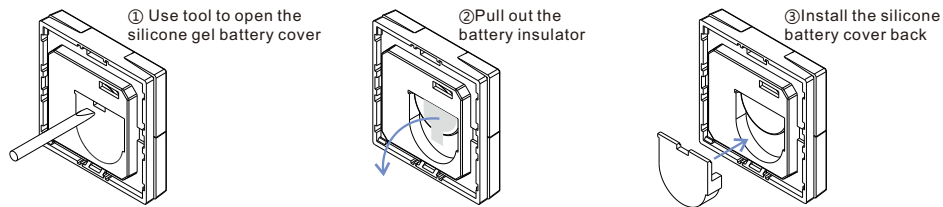
## 15. Battery Power Monitor Function

**The remote will report battery power value to the coordinator under following situations:**

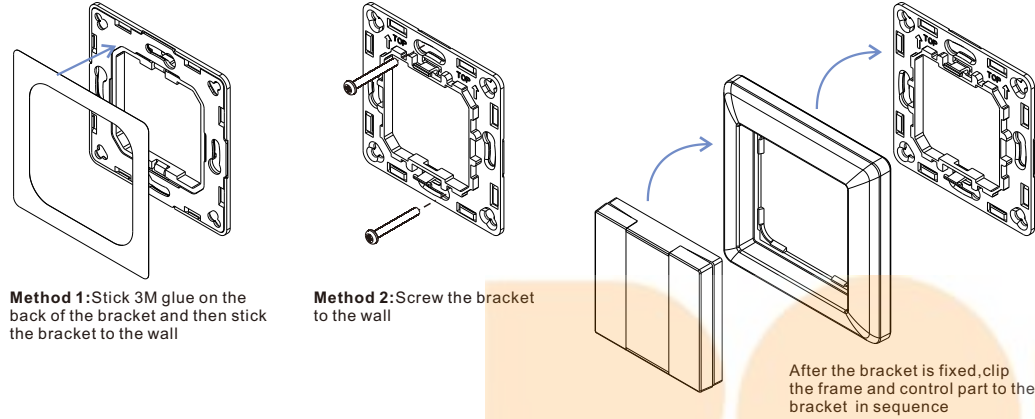
- When powered on.
- When short pressing both | and ○ buttons of group 2 simultaneously.
- When operating the switch to send data packets (over 4 hours since last operation).
- When added to the network by a coordinator.

## Installation

### 1.Remove battery insulator



### 2.Install the controller to wall(2 methods)



## Mounting

The key part of this controller is an universal one, especially rotary standard switch element that can be integrated in numerous frames by different manufactures as below list:

BERKER	S1, B1, B3, B7 glass
GIRA	Standard55, E2, Event, Esprit
JUNG	A500, Aplus
MERTEN	M-smart, M-Arc, M-Plan



### CAUTION

Risk of explosion if the battery is replaced by an incorrect type

- replacement of a battery with an incorrect type that can defeat a safeguard (for example, in the case of some lithium battery types);
- disposal of a battery into fire or a hot oven, or mechanically crushing or cutting of a battery, that can result in an explosion;
- leaving a battery in an extremely high temperature surrounding environment that can result in an explosion or the leakage of flammable liquid or gas;
- a battery subjected to extremely low air pressure that may result in an explosion or the leakage of flammable liquid or gas.