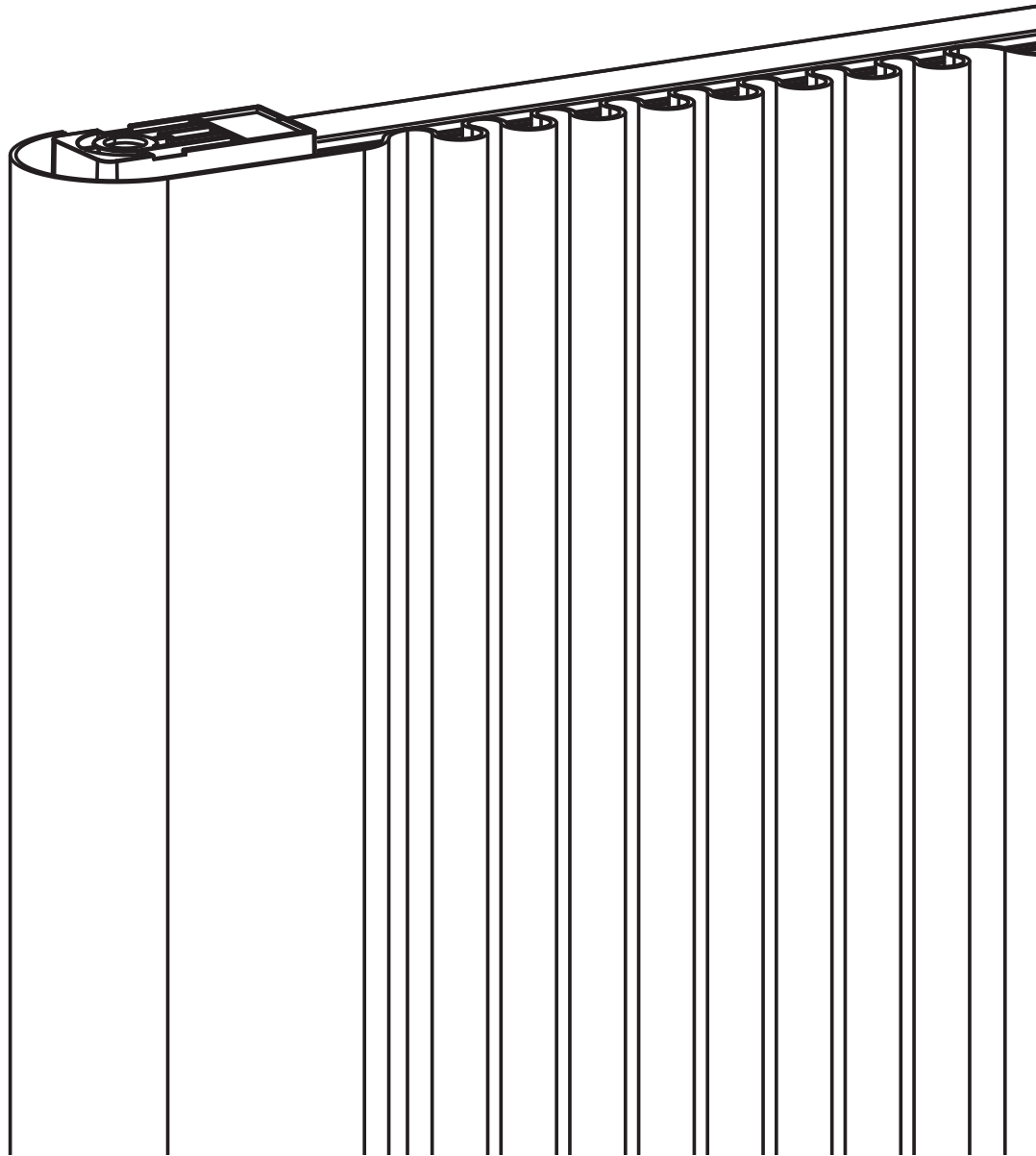
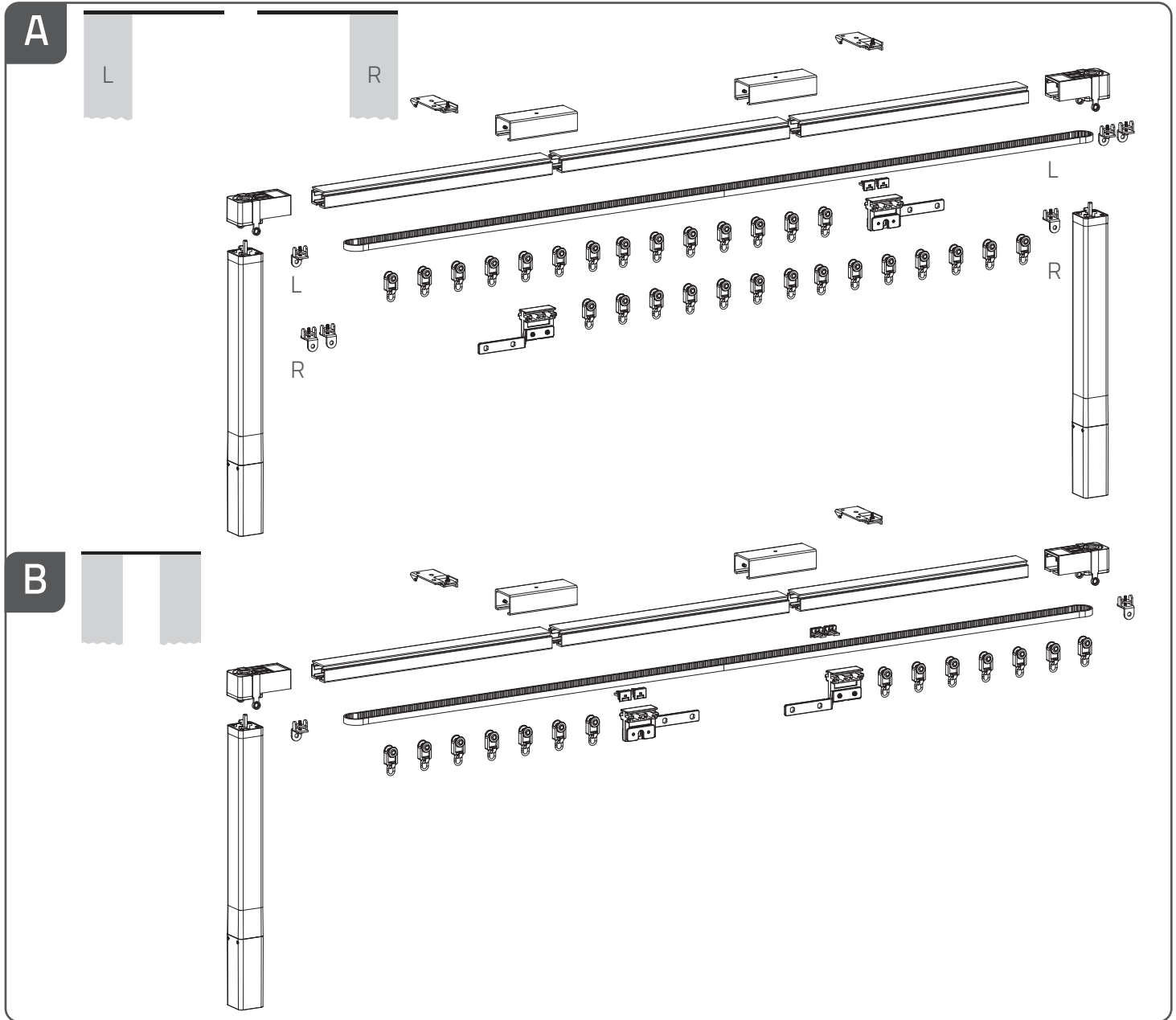


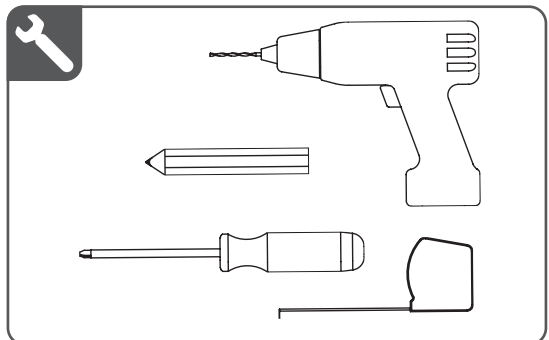
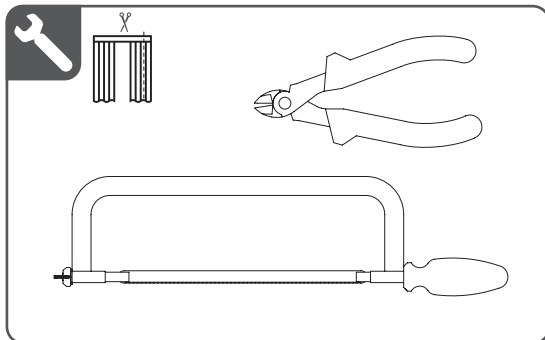
ASSEMBLY + INSTALLATION MANUAL

MOTORIZED CURTAIN RAIL

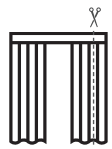




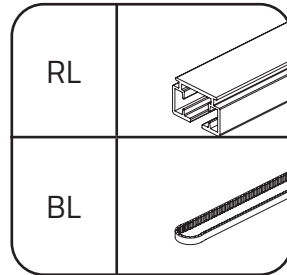
360 cm	5x	720 cm	3 x 115 cm	2	3	2	4	2	51
475 cm	6x	950 cm	4 x 115 cm	3	3	2	4	2	68



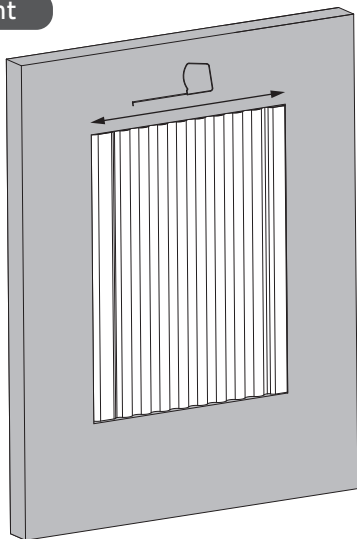
MN210097_202205011



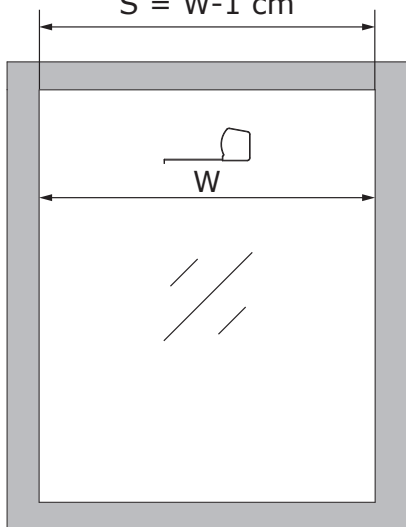
W = Width
 S = Systemsize
 RL (Rail Length) = W - 13 cm
 BL (Belt Length) = S x 2



Inside mount

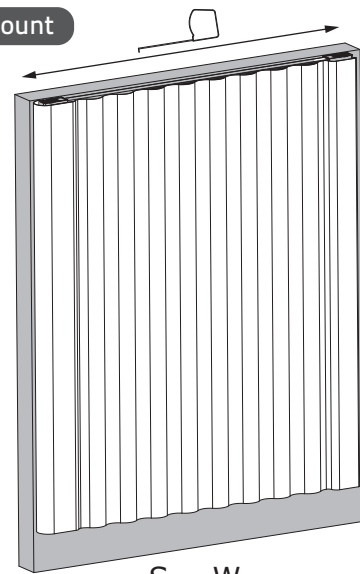


$S = W - 1 \text{ cm}$

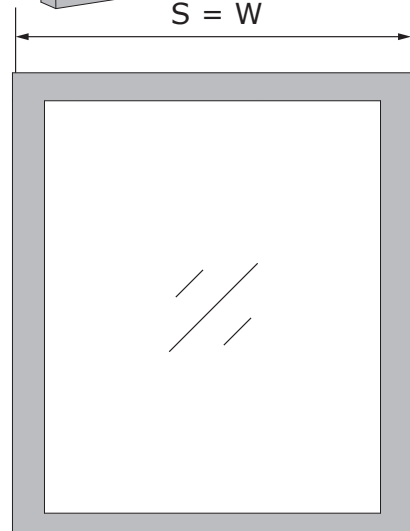


S = Systemsize
 $S = W - 1 \text{ cm} = _,_ \text{ cm}$

Outside mount

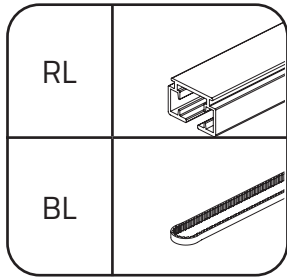
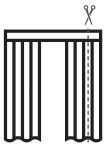


$S = W$

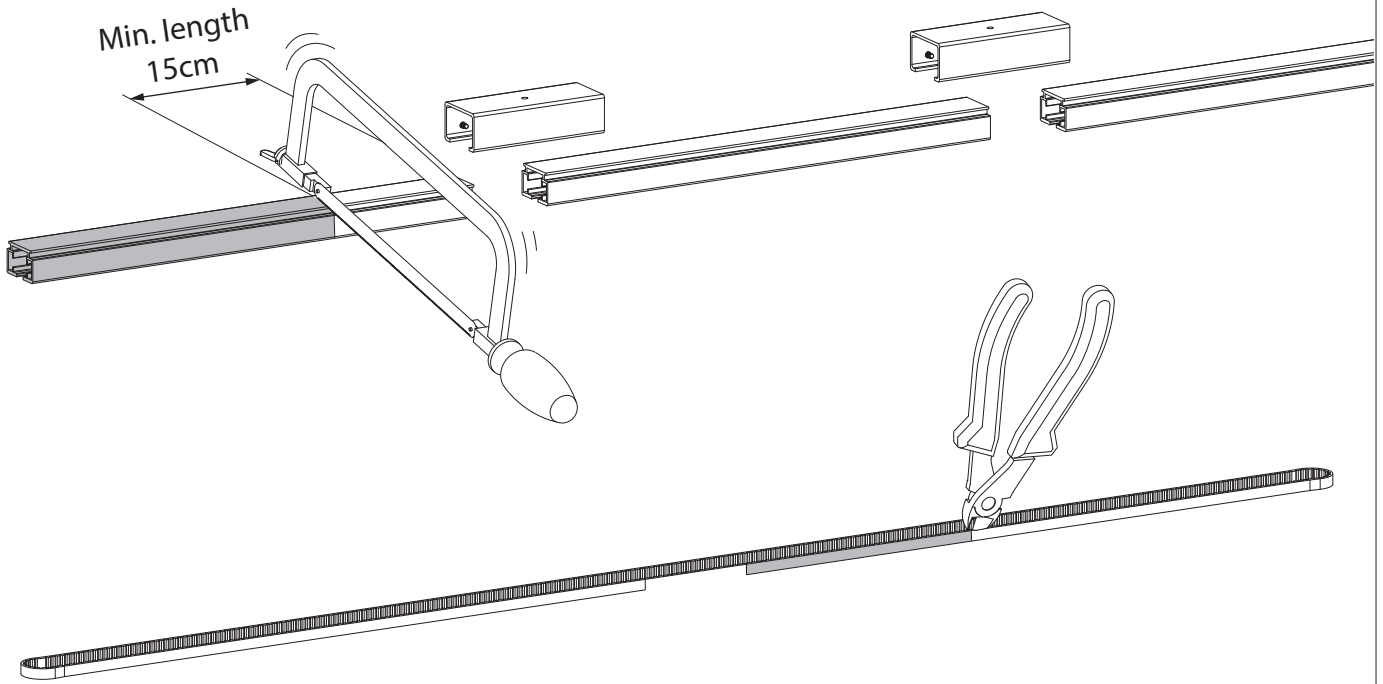


S = Systemsize
 $S = W = _,_ \text{ cm}$

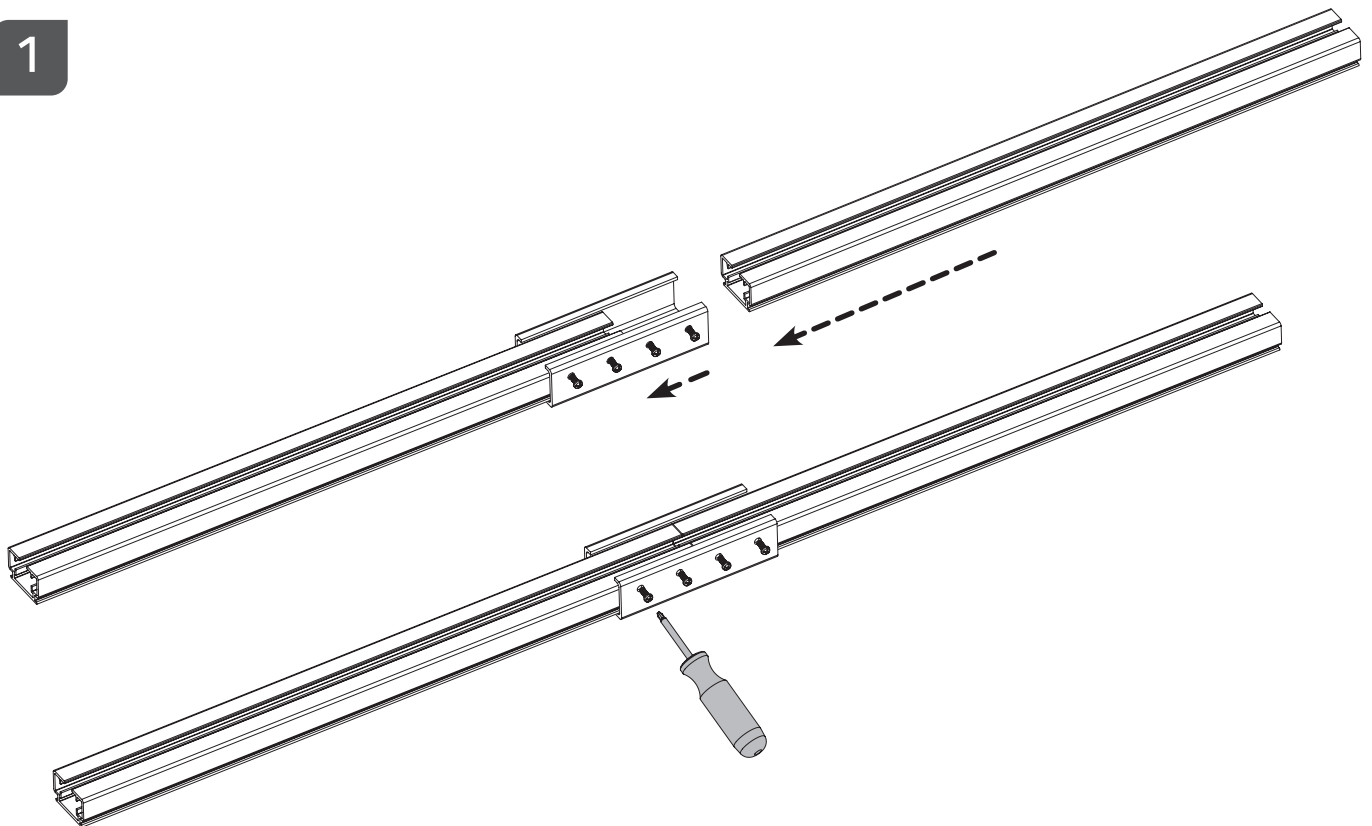
MN210097_202205011



S = Systemsize = __, __ cm
RL (Rail Length) = S - 13 cm = __, __ cm (Total rail length)
BL (Belt Length) = S x 2 = __, __ cm

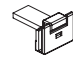


1



A

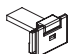


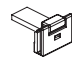
 = 2 x

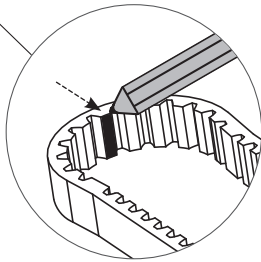


B

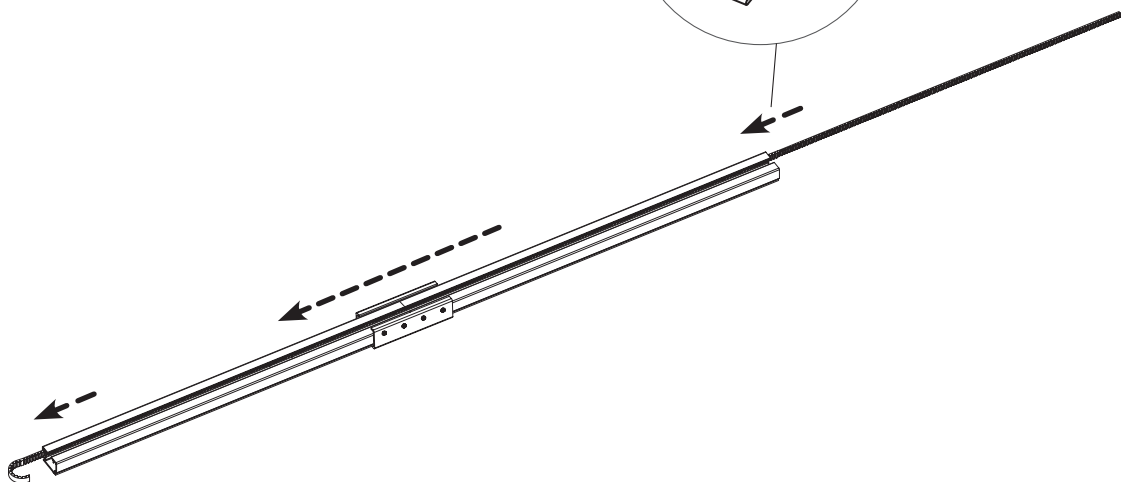
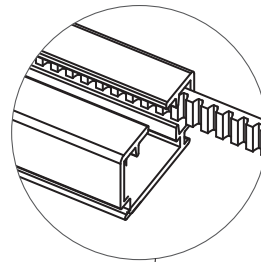


 = 2 x

 = 2 x



2

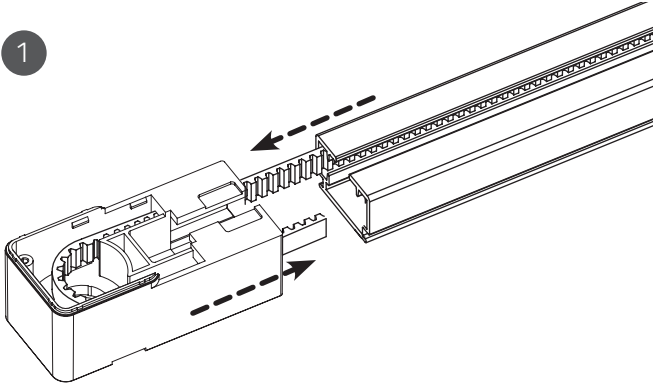


MN210097_202205011

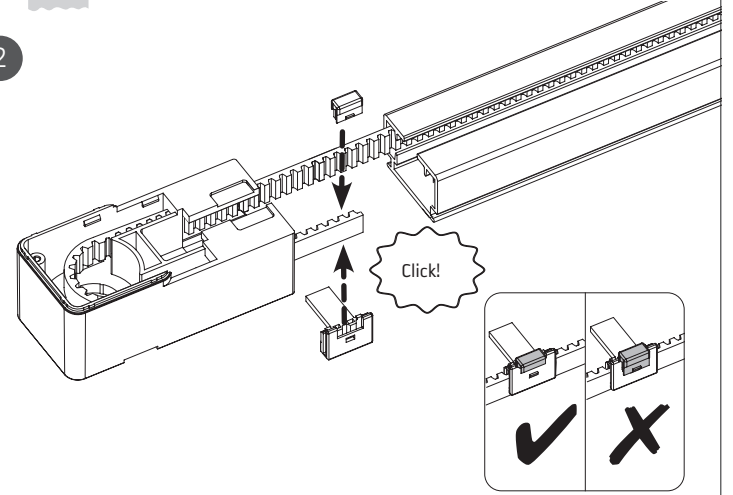
3



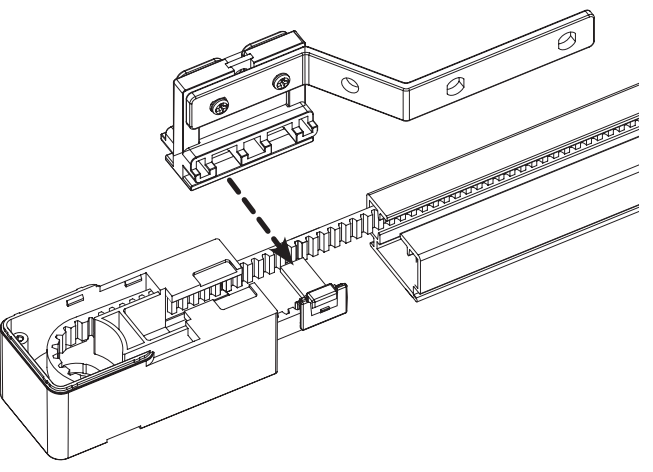
1



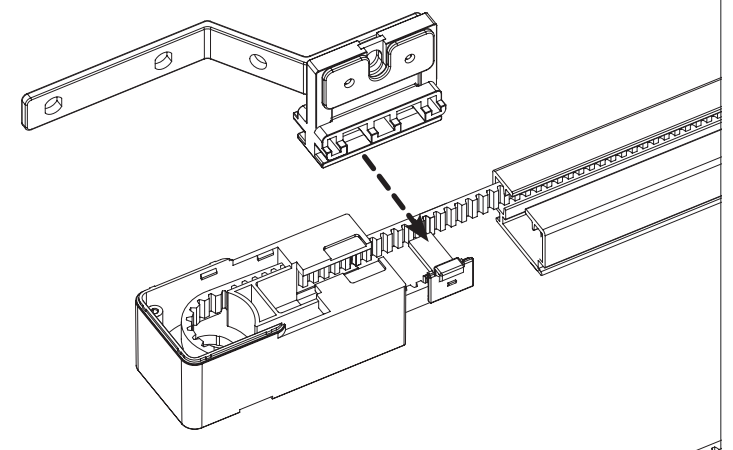
2



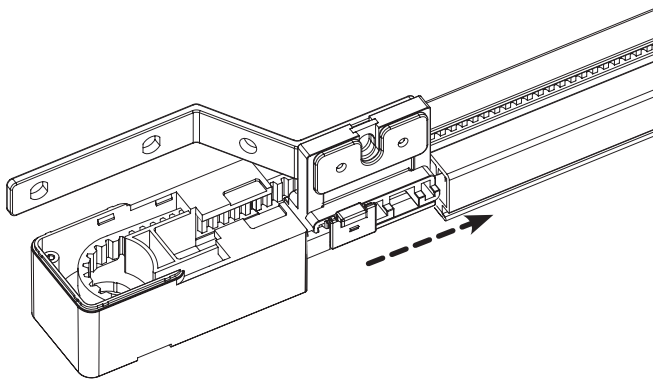
3



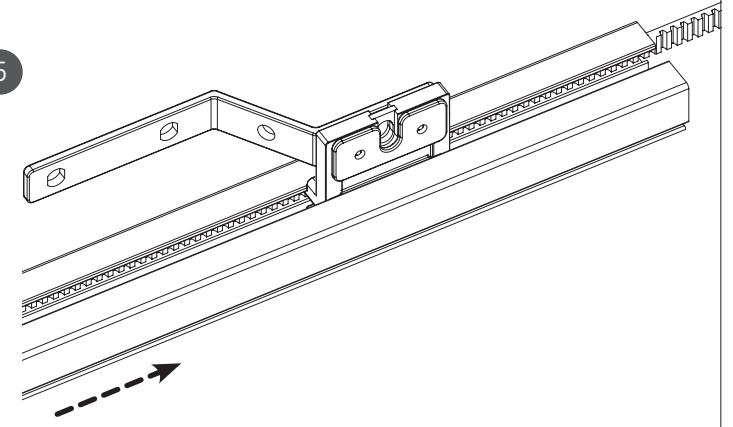
3



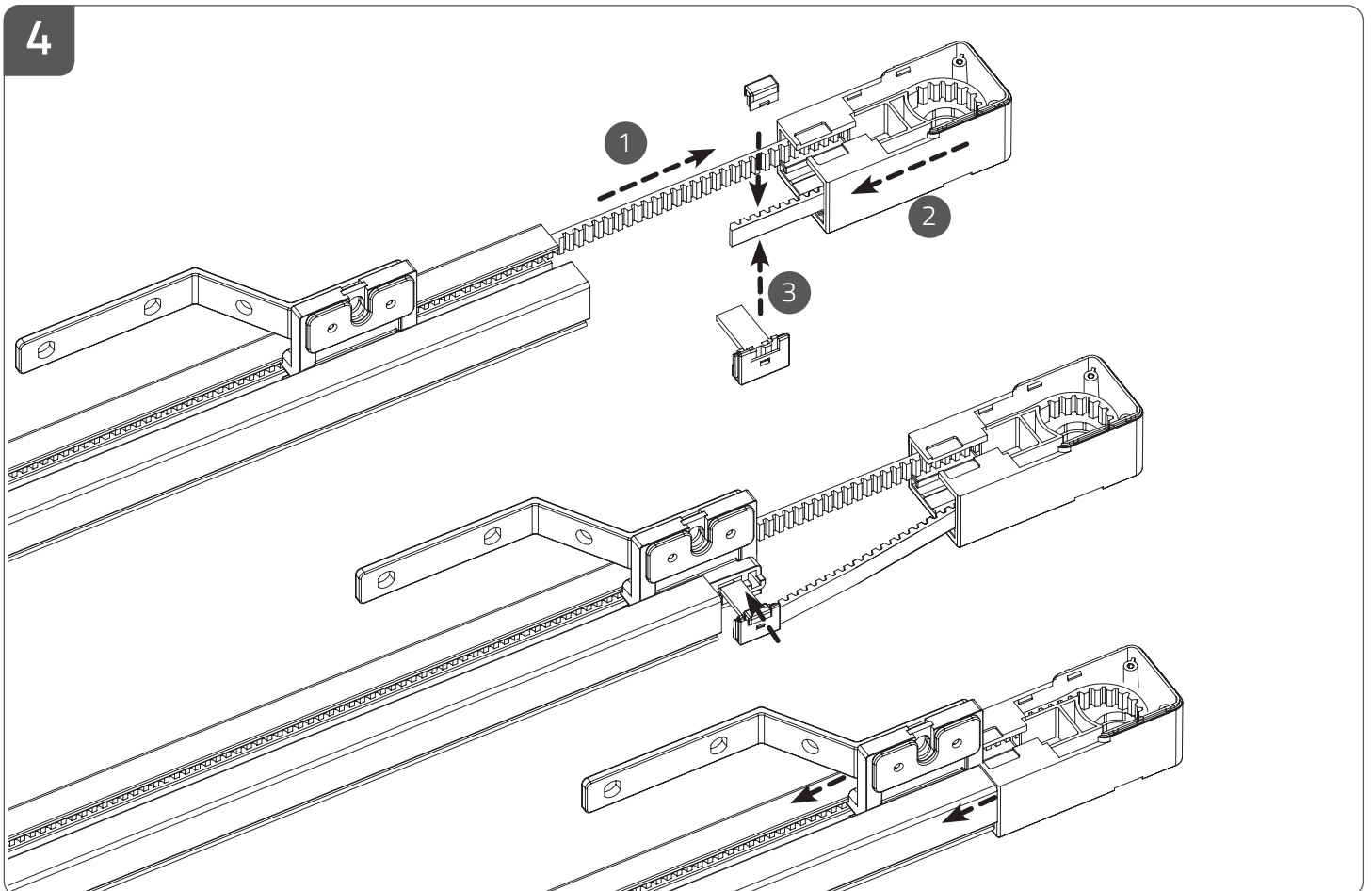
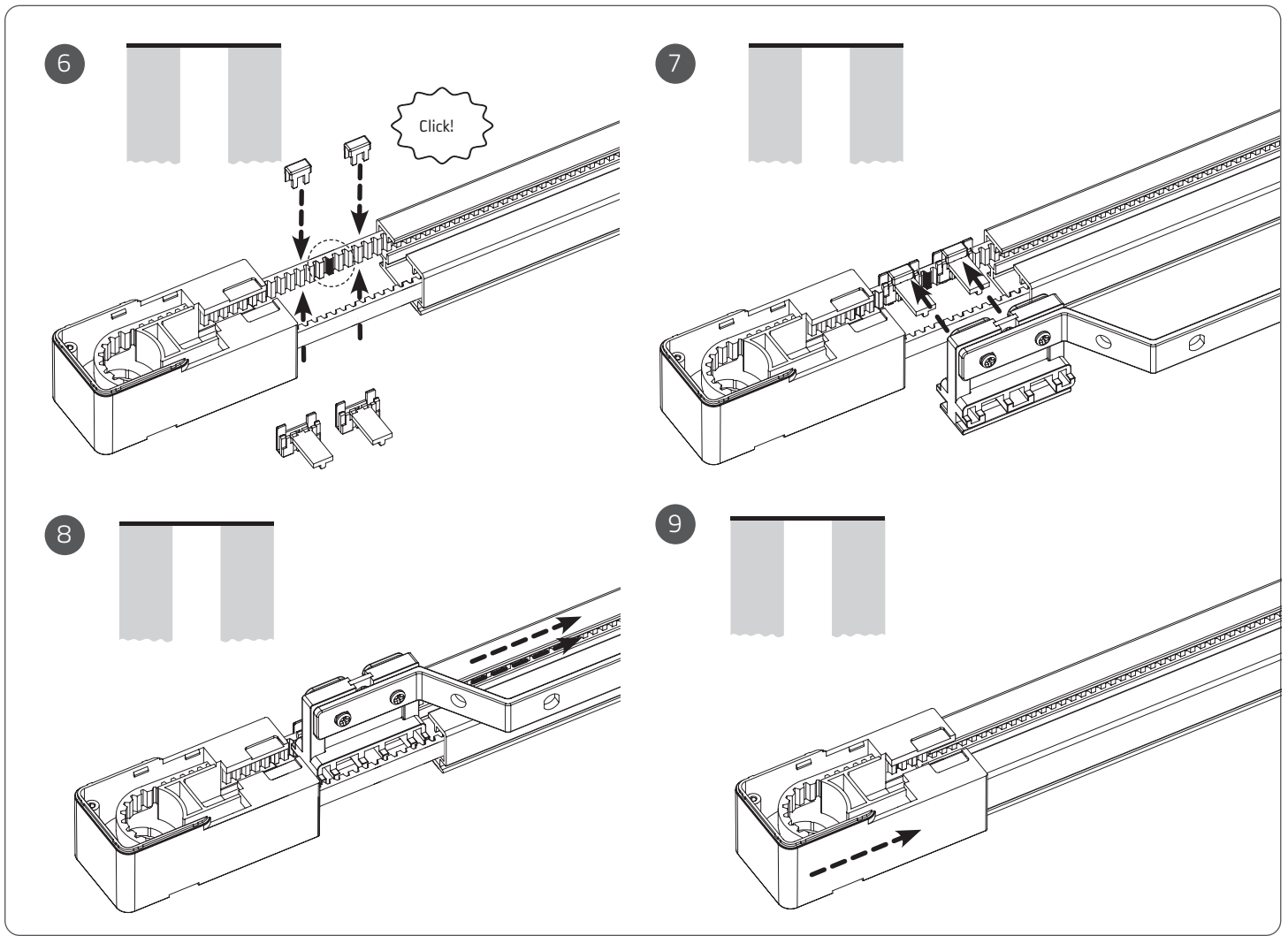
4



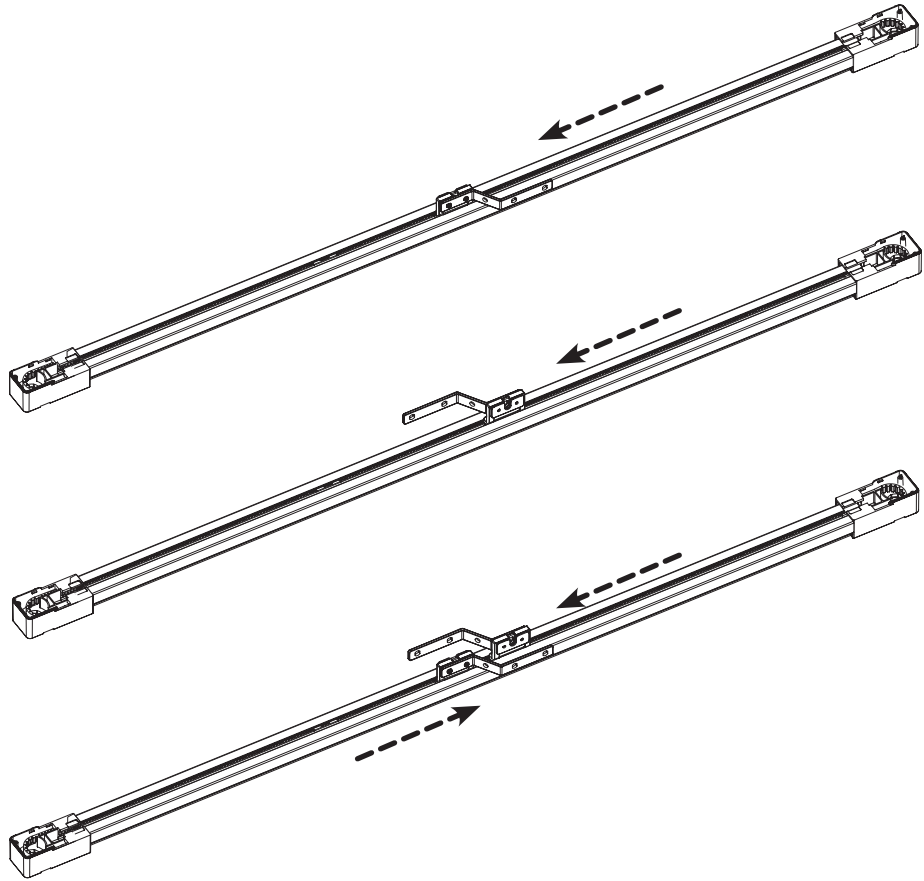
5



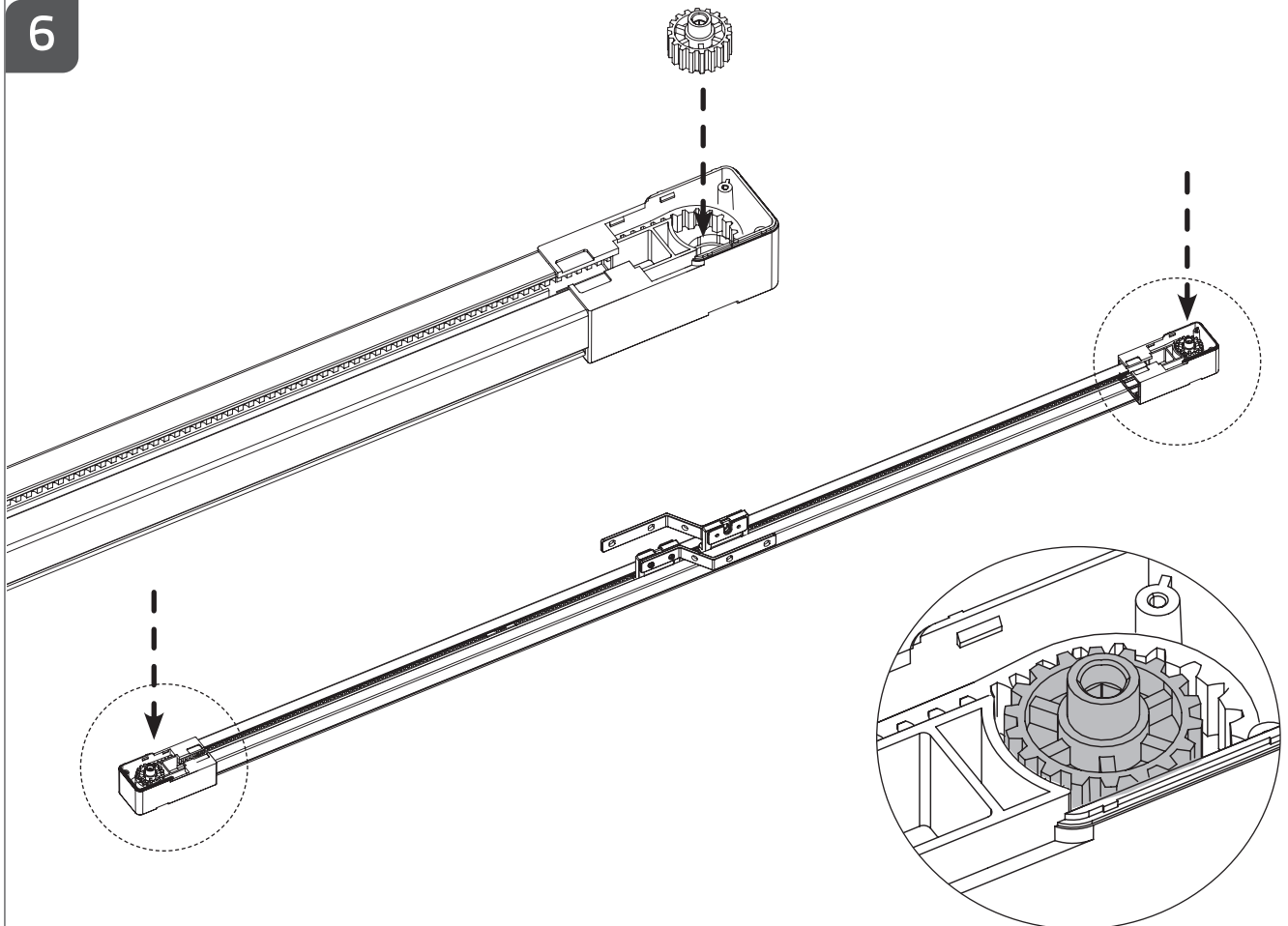
MN210097_202205011



5

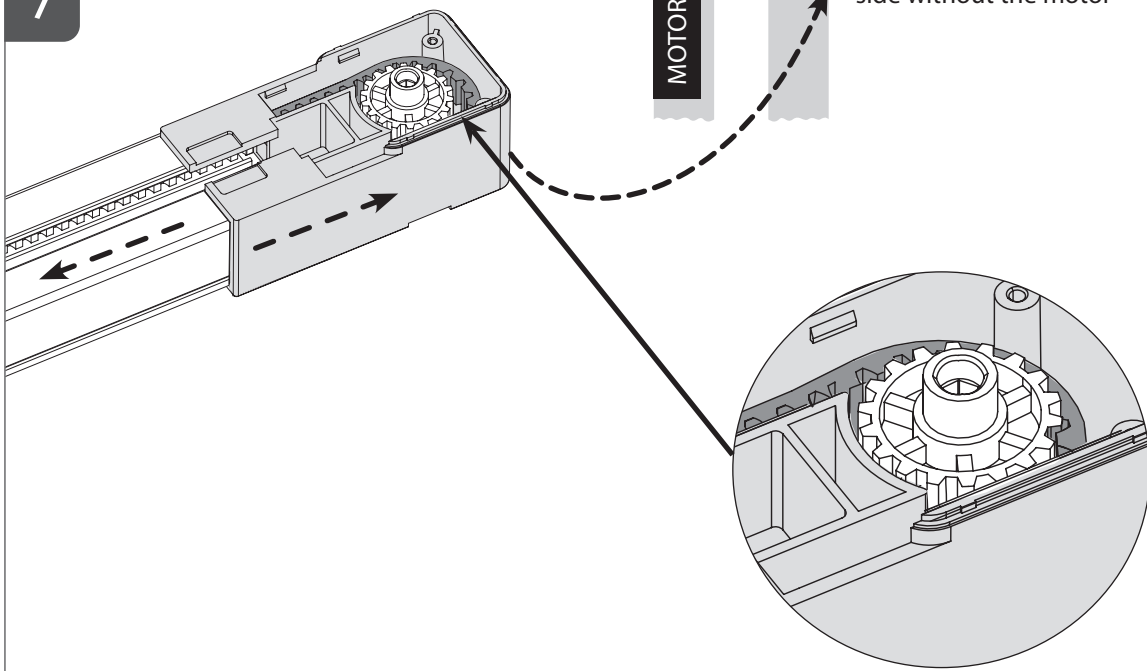


6

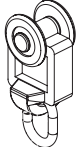


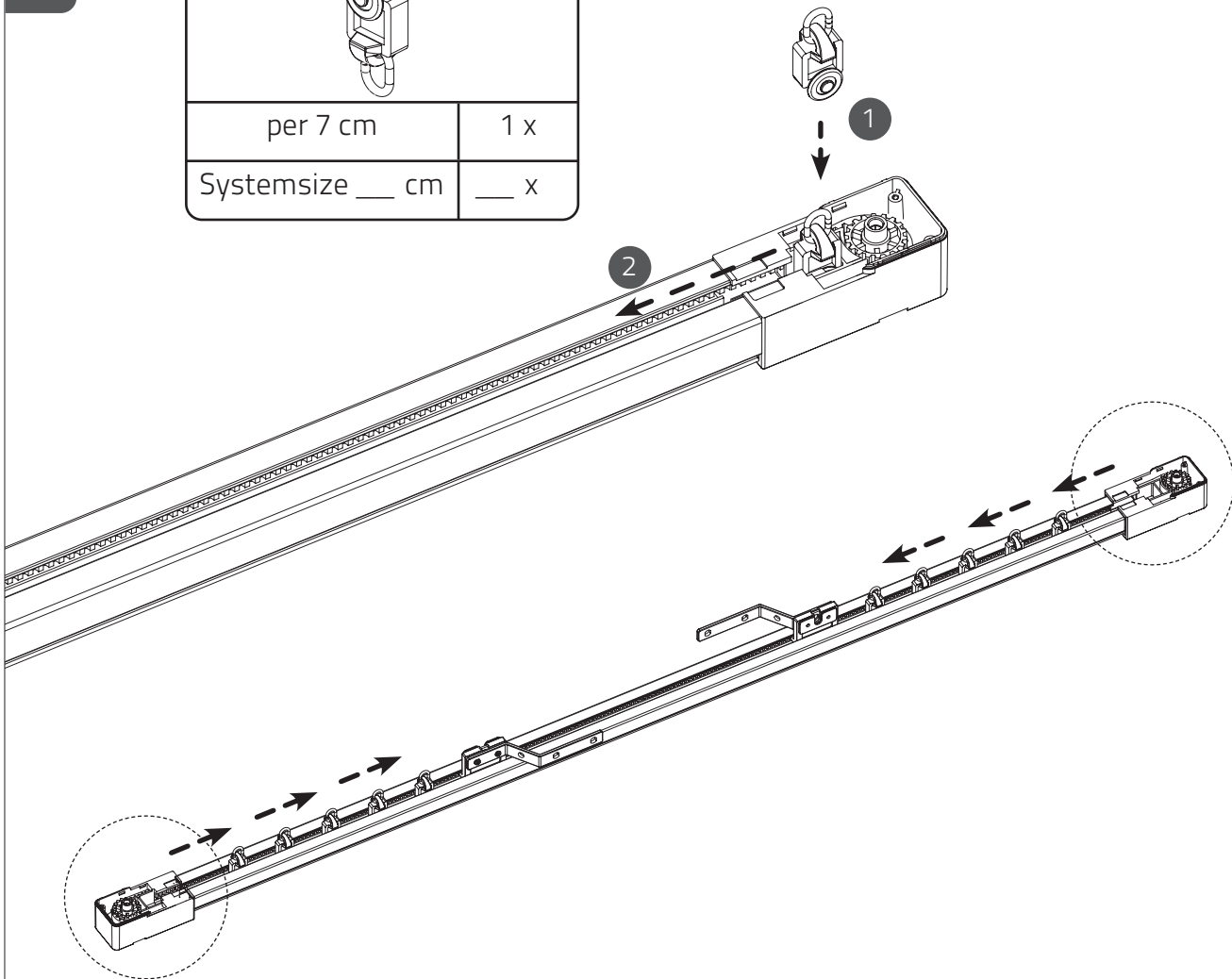
MN210097_202205011

7



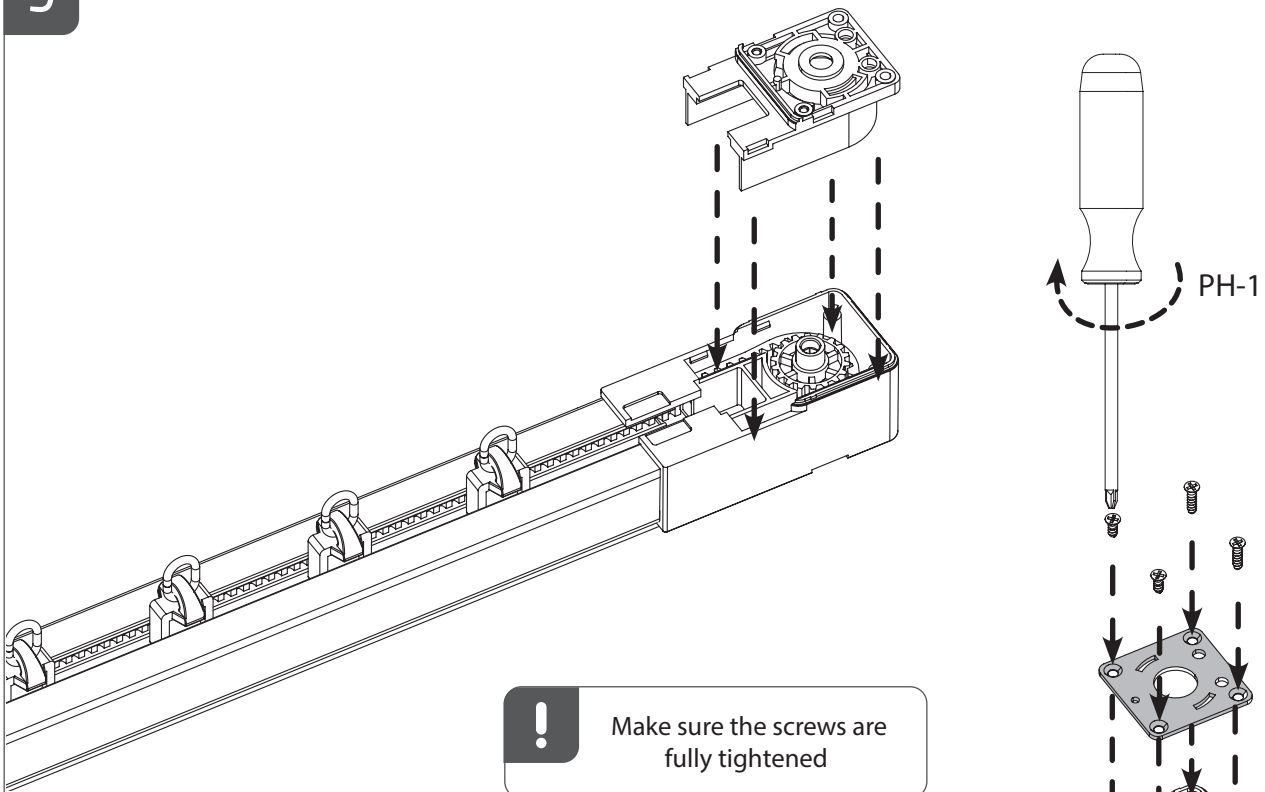
8

	
per 7 cm	1 x
Systemsize ___ cm	___ x

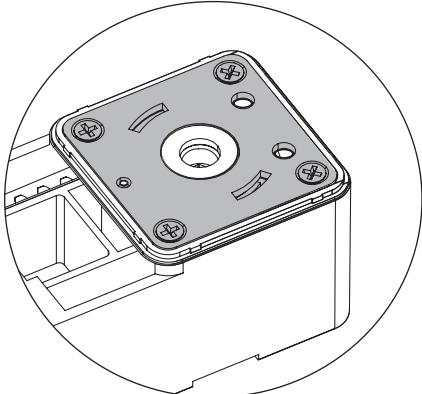
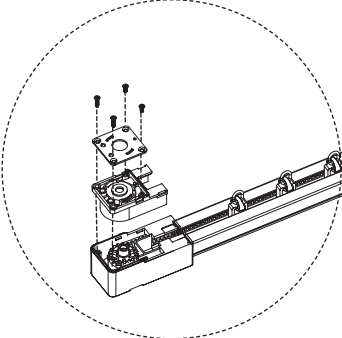
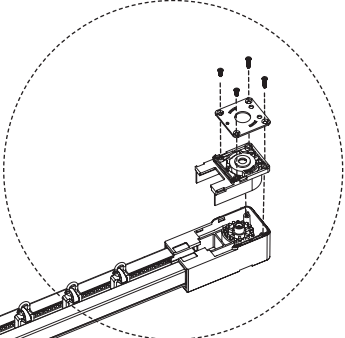
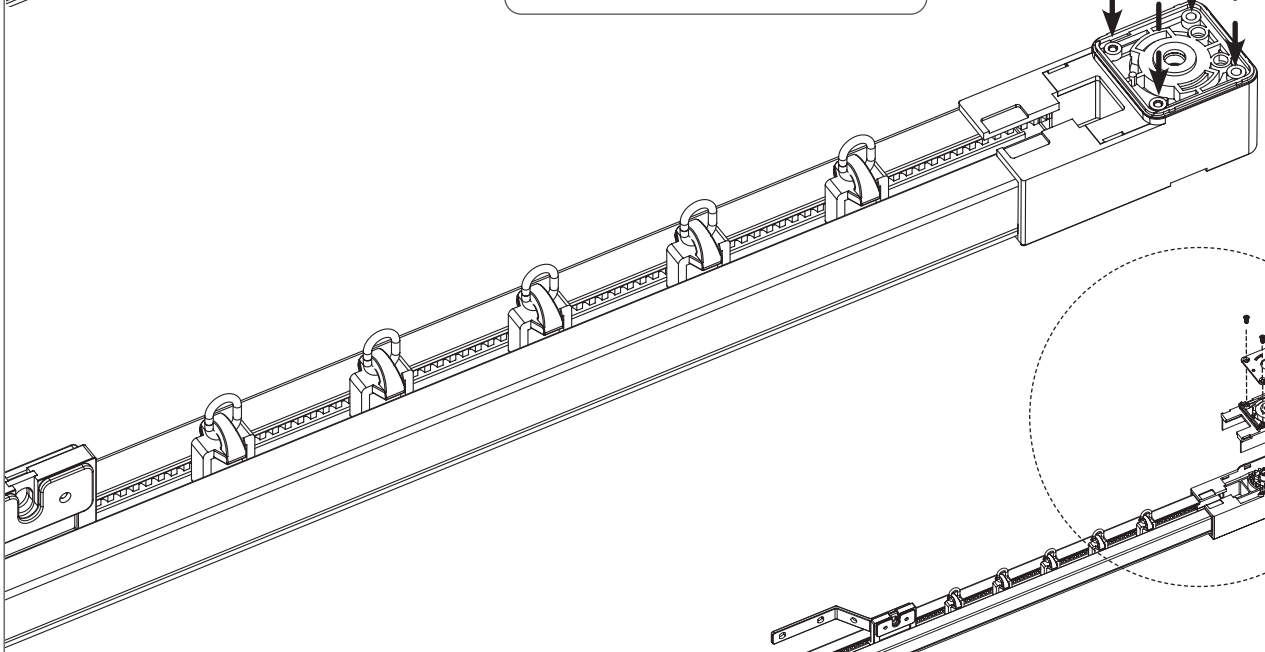


MN210097_202205011

9

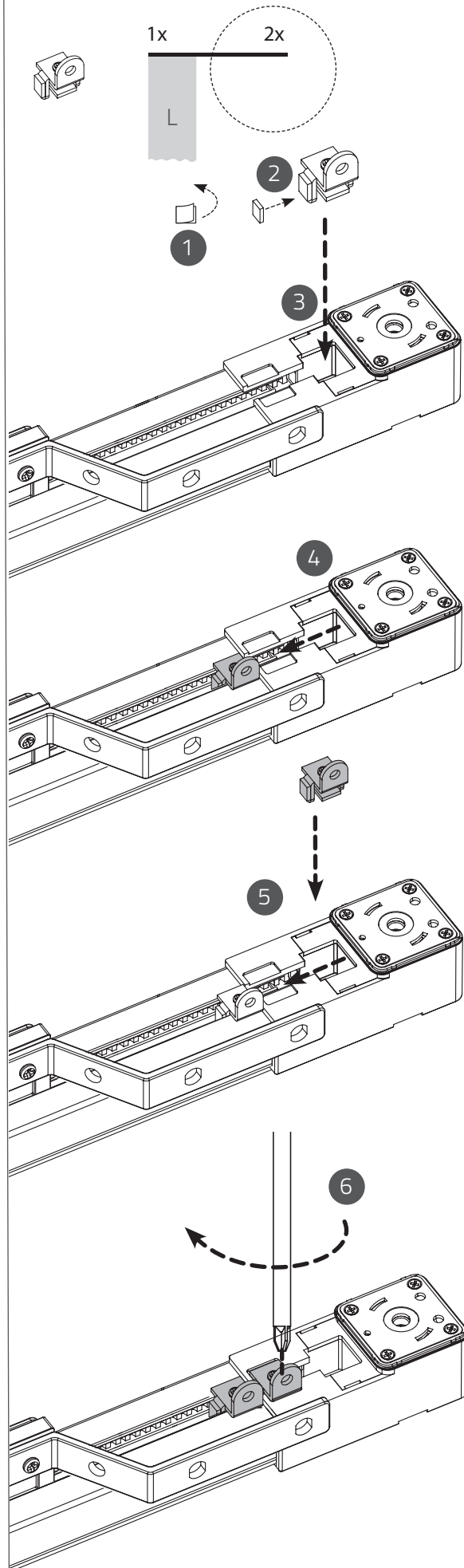
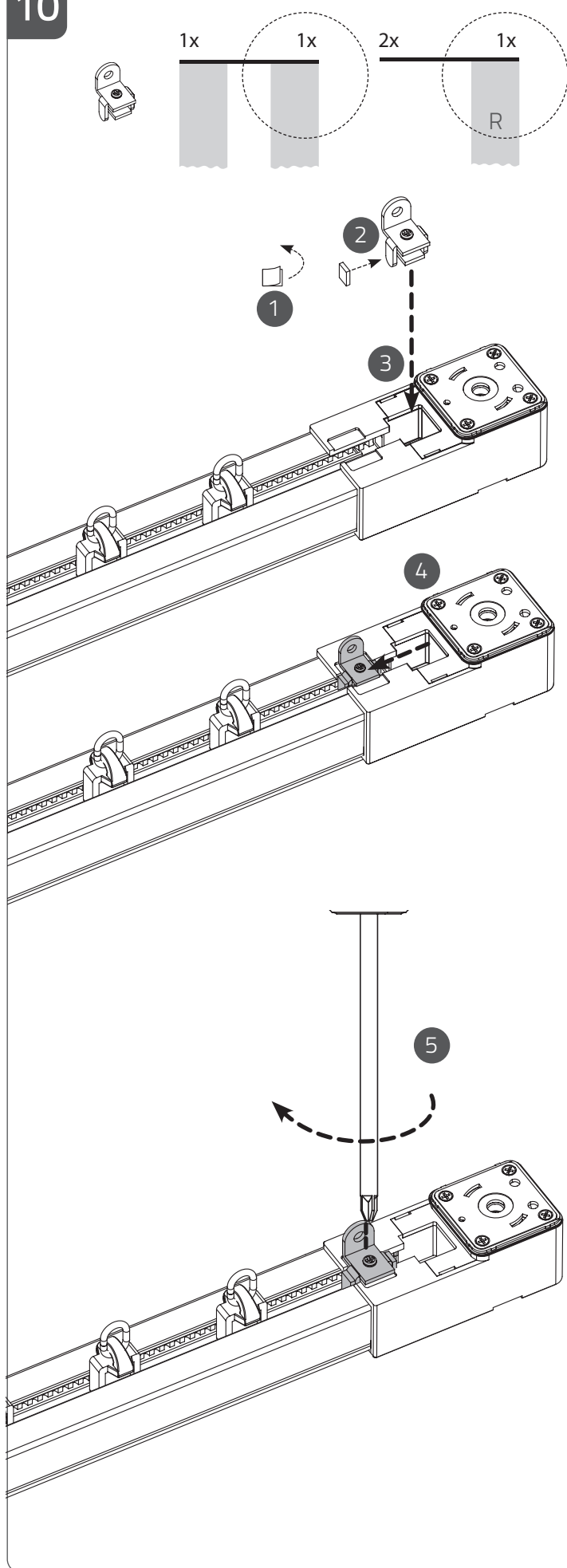


! Make sure the screws are fully tightened



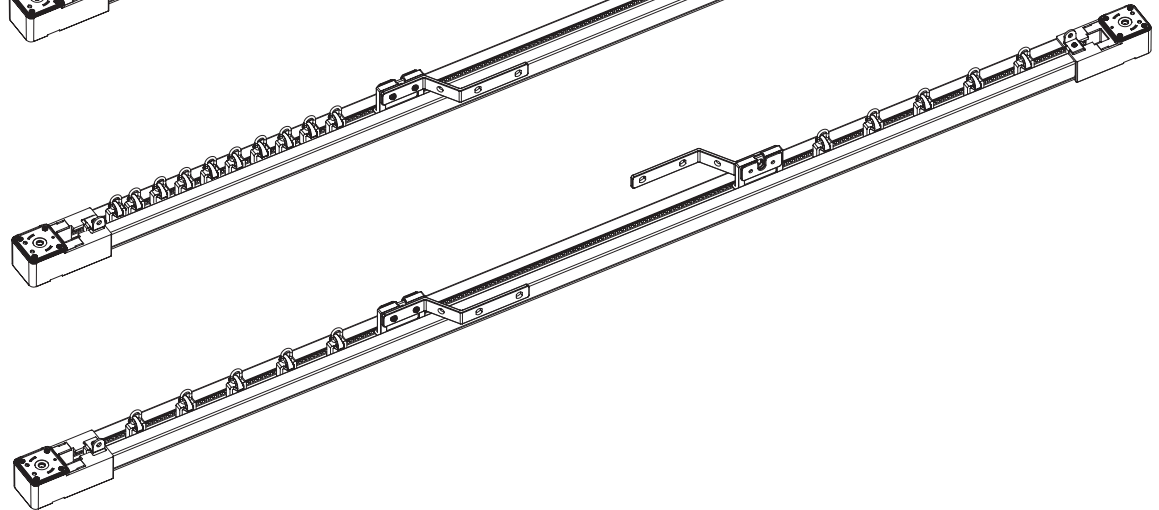
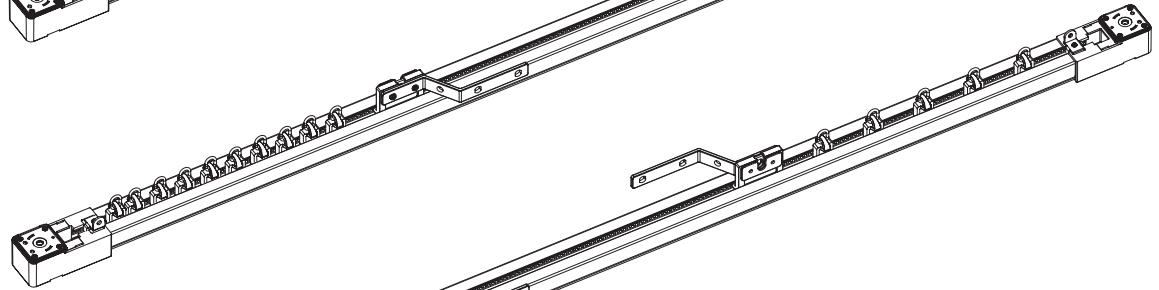
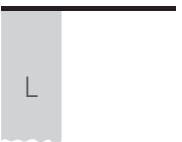
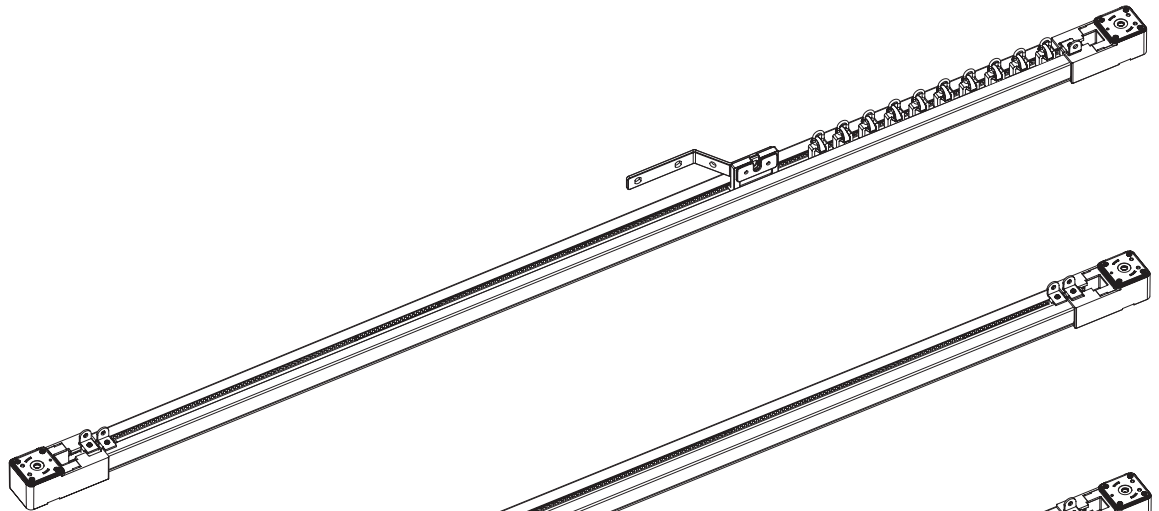
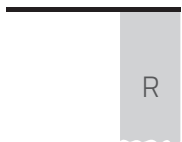
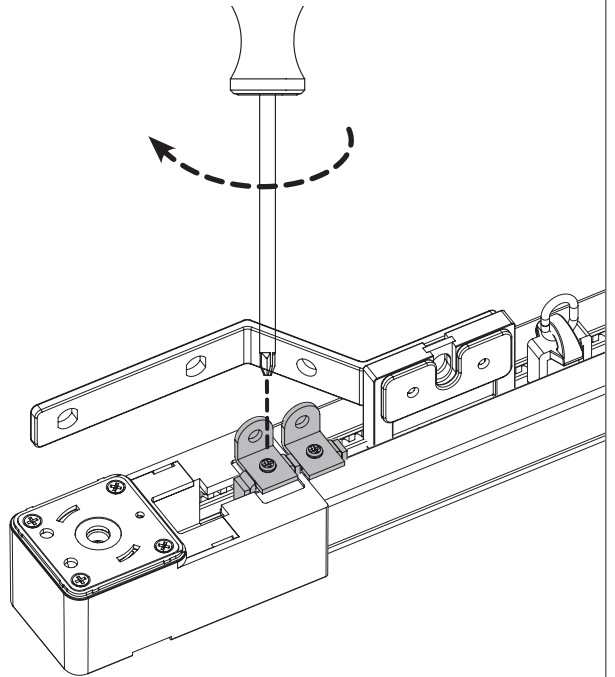
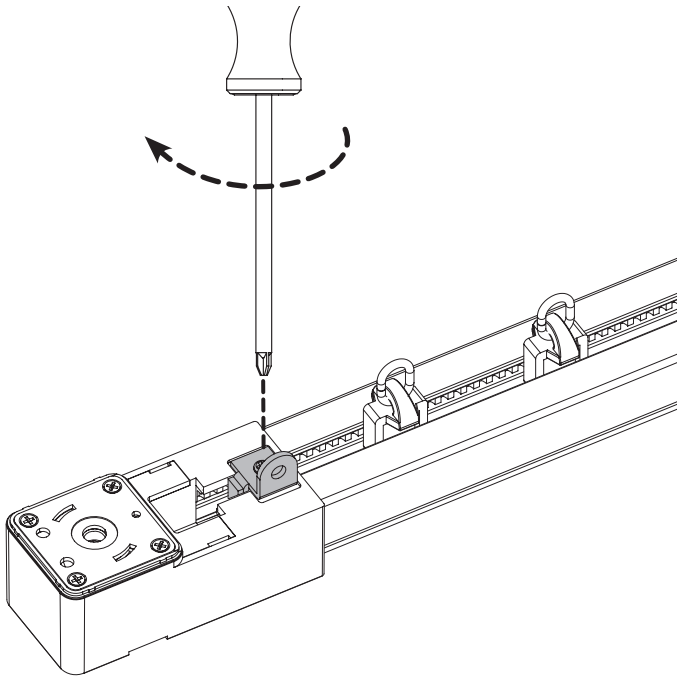
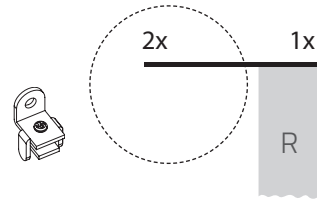
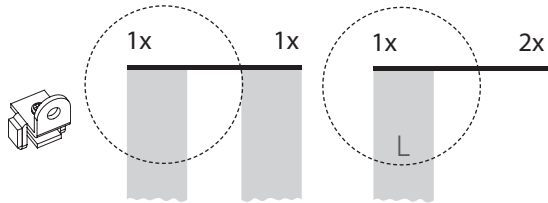
MN210097_202205011

10



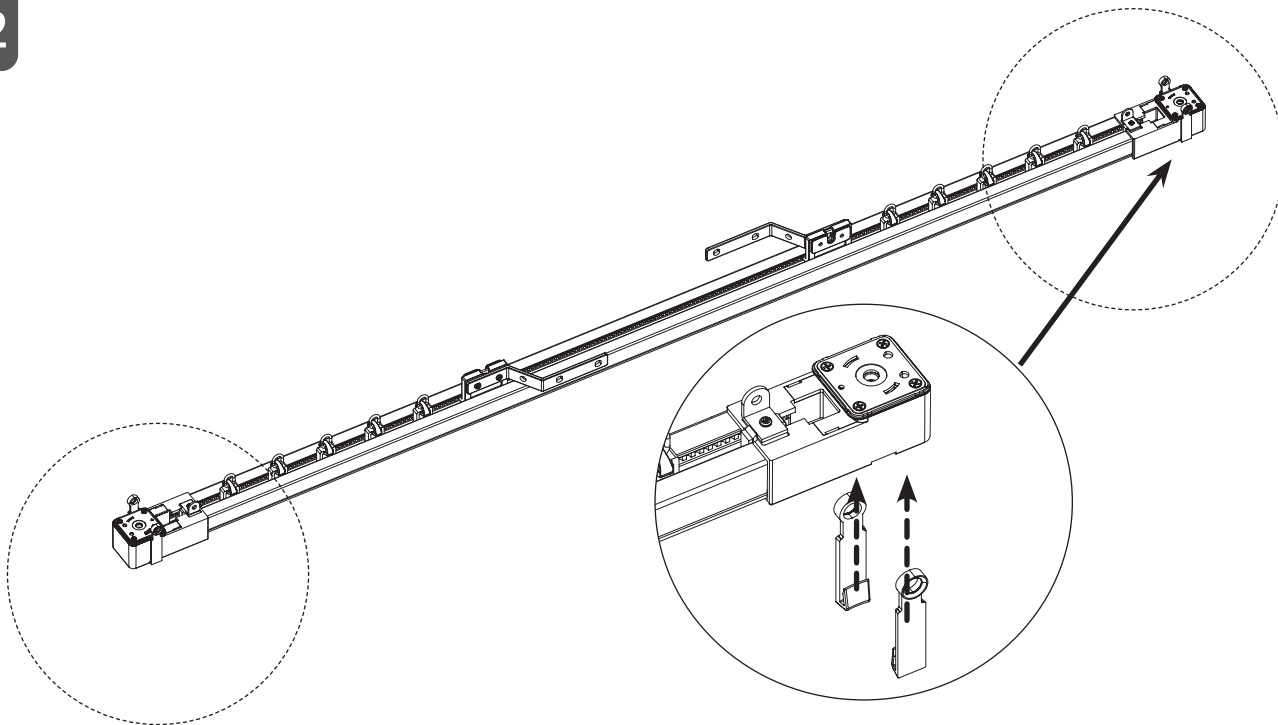
MN210097_202205011

11

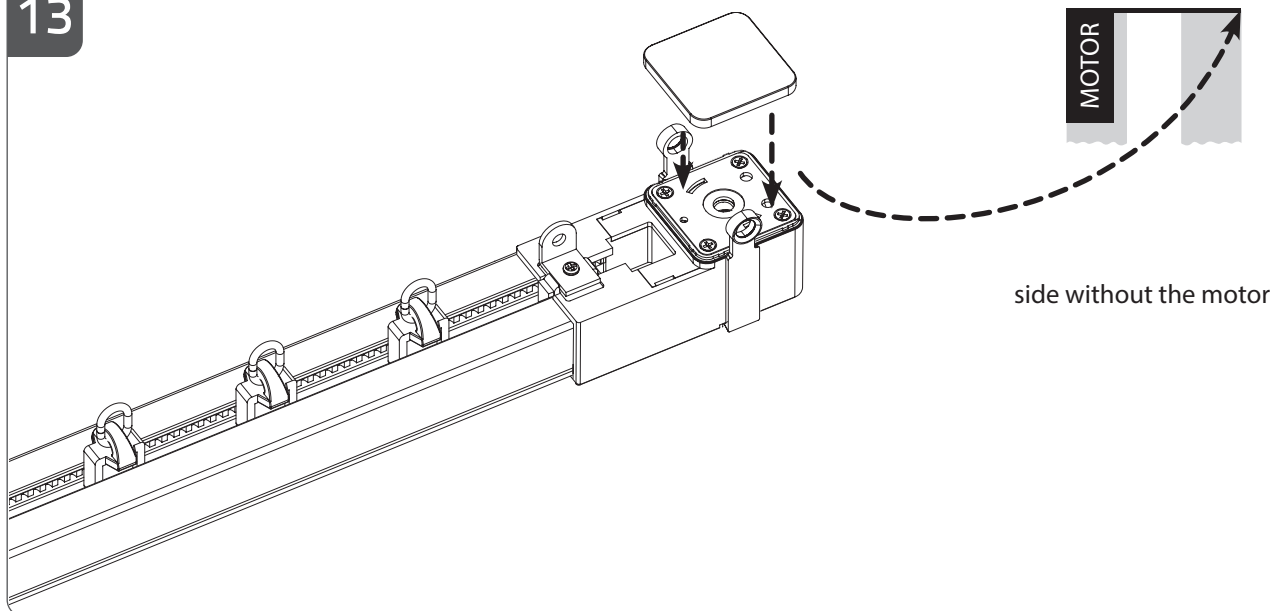


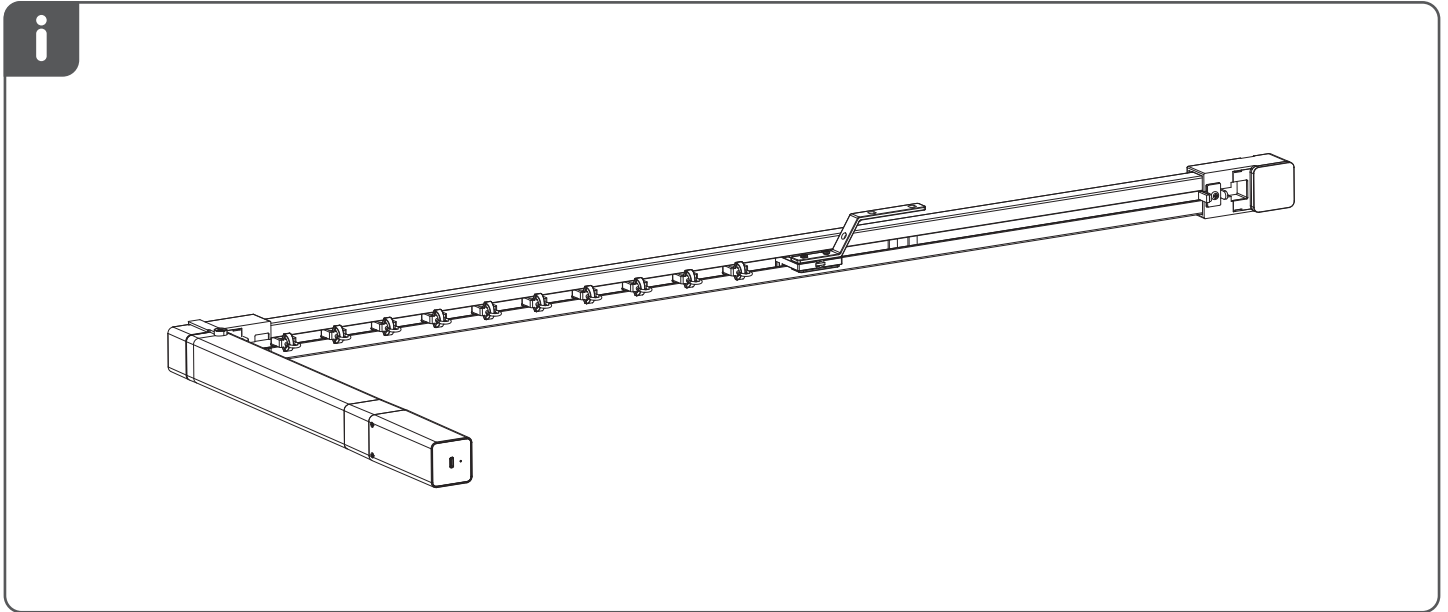
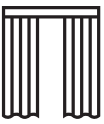
MN210097_202205011

12

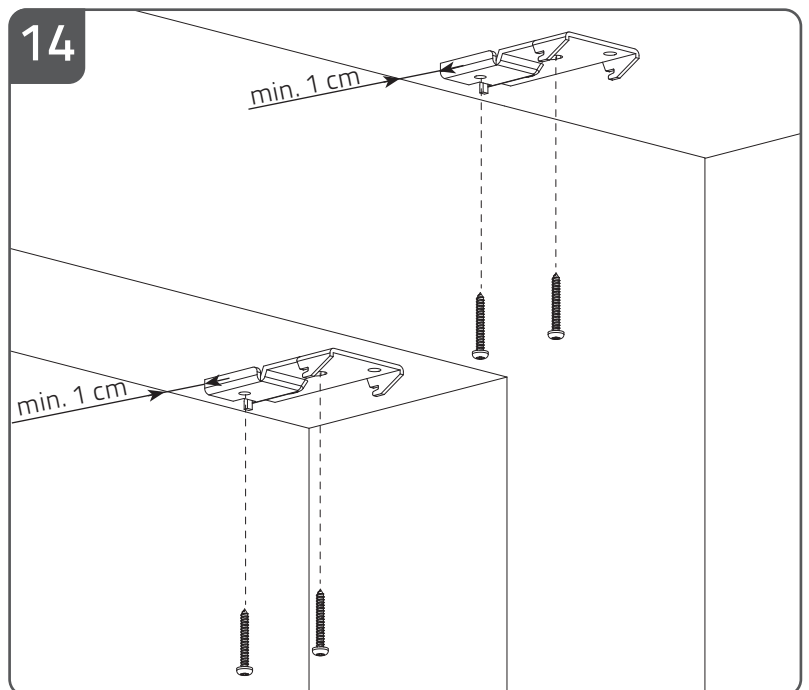
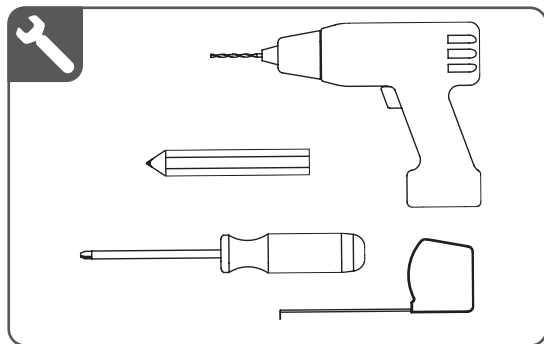
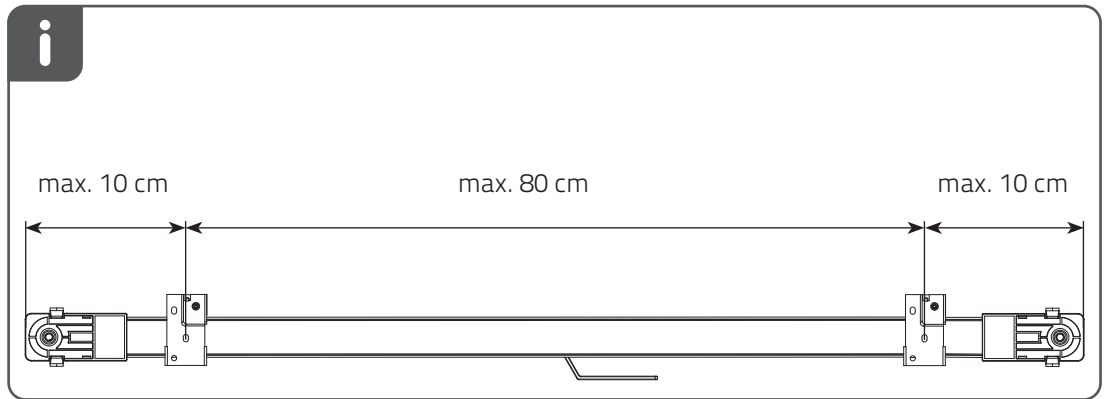


13





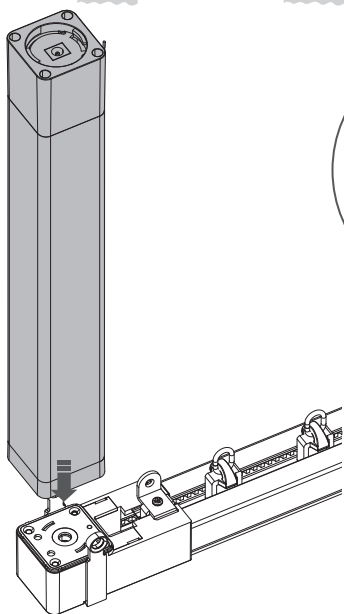
≤ 100 cm	2x
> 100 cm	3x
> 200 cm	4x
> 300 cm	5x
> 400 cm	6x



15

L

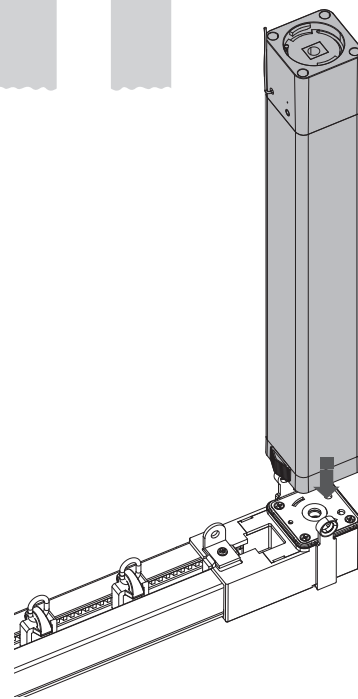
R



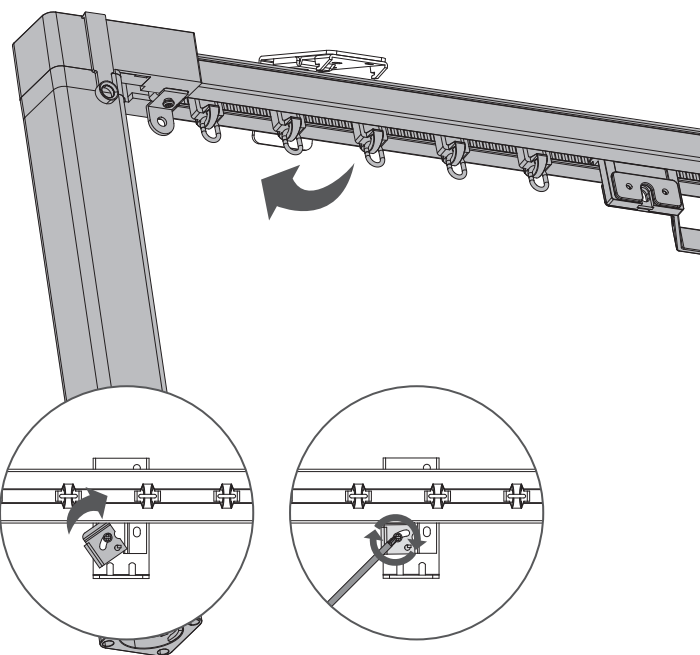
Click!



Make sure the screws are fully tightened, before clicking the motor



16

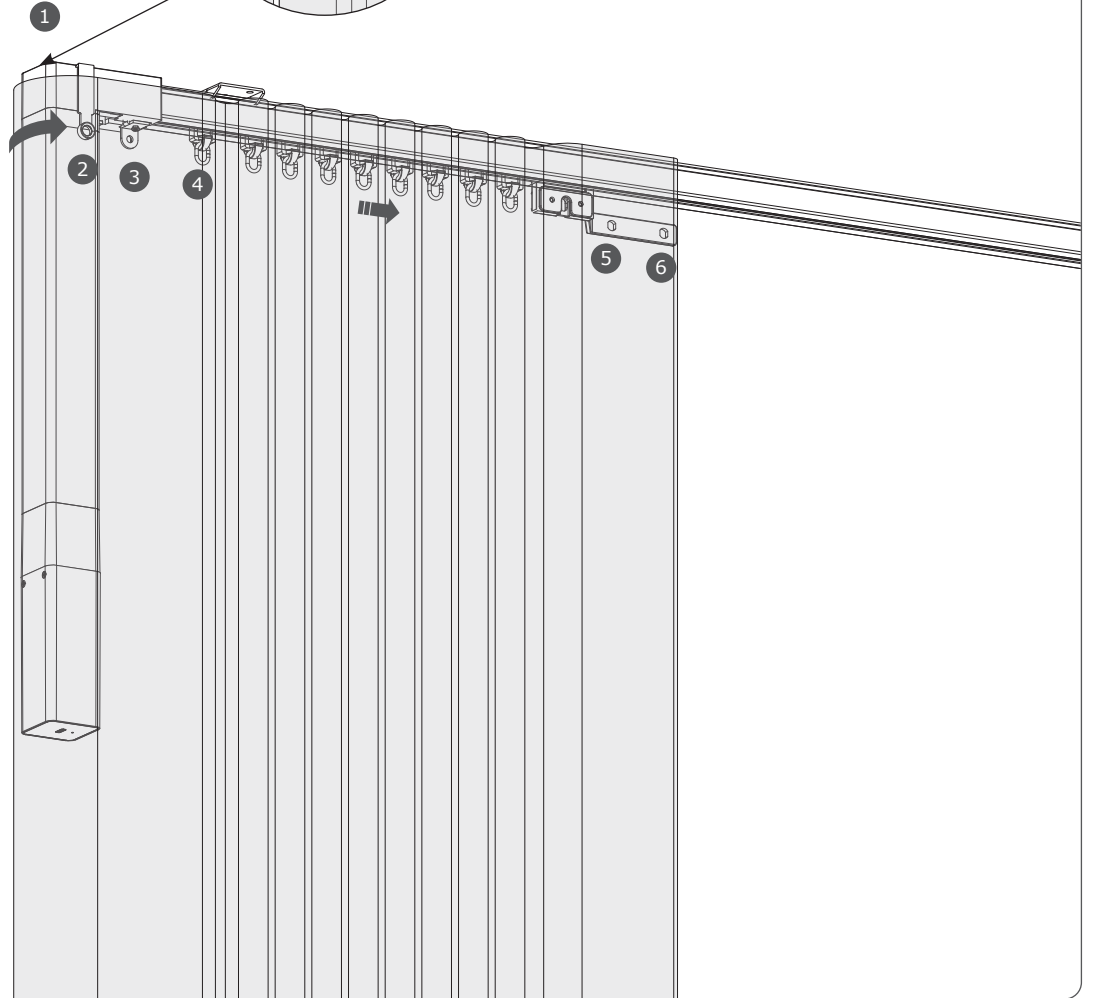
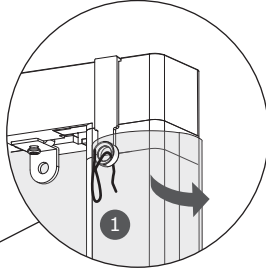


17





Position curtain hooks



Follow the steps in the setup guide to activate the blind.

