



Netatmo Smart Carbon Monoxide Alarm User Guide

December 2, 2021December 3, 2021

[Home](#) » [Netatmo](#) » Netatmo Smart Carbon Monoxide Alarm User Guide 

Contents [[hide](#)]

- [1 Netatmo Smart Carbon Monoxide Alarm](#)
- [2 Pack contents](#)
- [3 Product overview](#)
- [4 Required tools \(not included\)](#)
- [5 Location advice](#)
- [6 Powering on](#)
- [7 Download the app](#)
- [8 Successful installation](#)
 - [8.1 Origin of carbon monoxide](#)
- [9 Technical specifications](#)
- [10 Documents / Resources](#)
 - [10.1 Related Manuals / Resources](#)



Netatmo Smart Carbon Monoxide Alarm



Smart Carbon Monoxide Alarm | User guide

More languages available at <https://coalarm.netatmo.com>

The user guide is available in several other languages at the address below

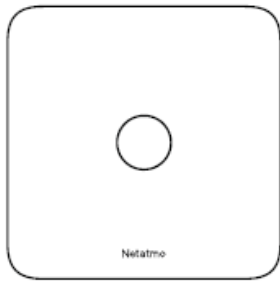
An installation tutorial video is available at the address below:

Please read these instructions carefully before installation. The user guide provided with this product must be kept throughout the product's lifespan. The Carbon Monoxide Alarm must be installed by a competent person and according to the instructions in this manual. The Carbon Monoxide Alarm will only trigger the alarm in a timely manner if it is correctly positioned, installed and maintained. The Carbon Monoxide Alarm is in no way a substitute for the proper installation, use and maintenance of your fuel-burning appliances.

Pack contents / Contenu du pack / Packungsinhalt / Contenido de la caja / Contenuto della confezione / In de doos / Conteúdo da embalagem

Pack contents

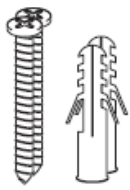
- A. One Smart Carbon Monoxide Alarm with a built-in 10-year battery
- B. One wall mount
- C. Two screws and two anchors
- D. One user guide



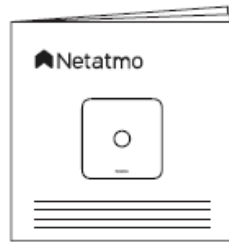
A



B



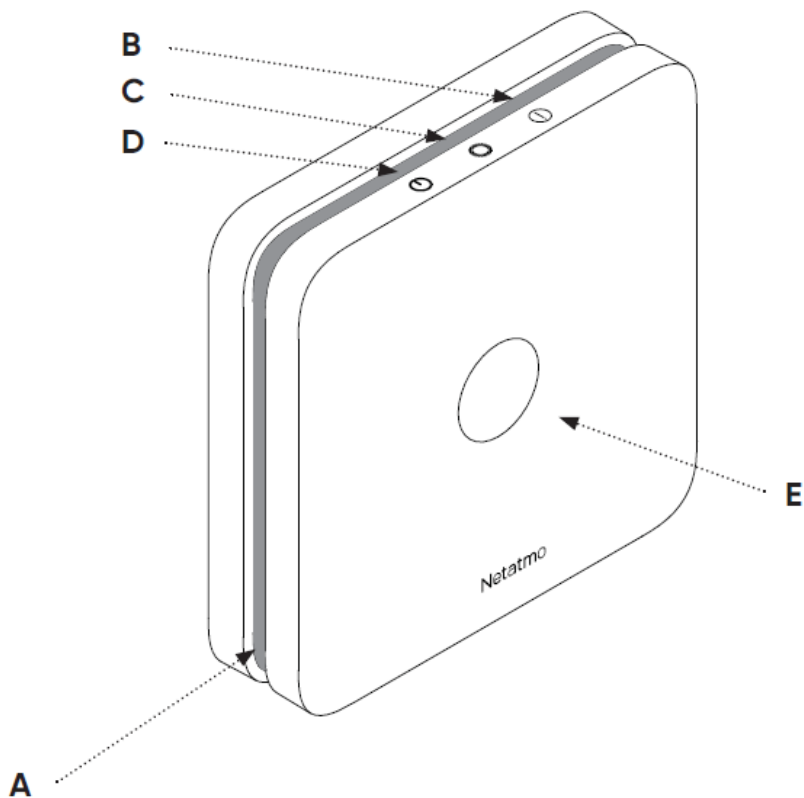
C



D

Product overview

- A. Carbon monoxide detection vents and alarm
- B. Red LED – Alarm
- C. Orange LED – Fault
- D. Green LED – Power on
- E. Mute button – Front panel

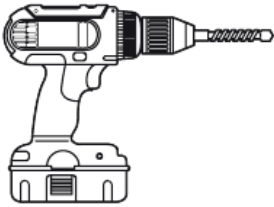


Required tools (not included)

- A. One Phillips screwdriver
- B. One drill – Ø5 mm
- C. One pencil



A



B

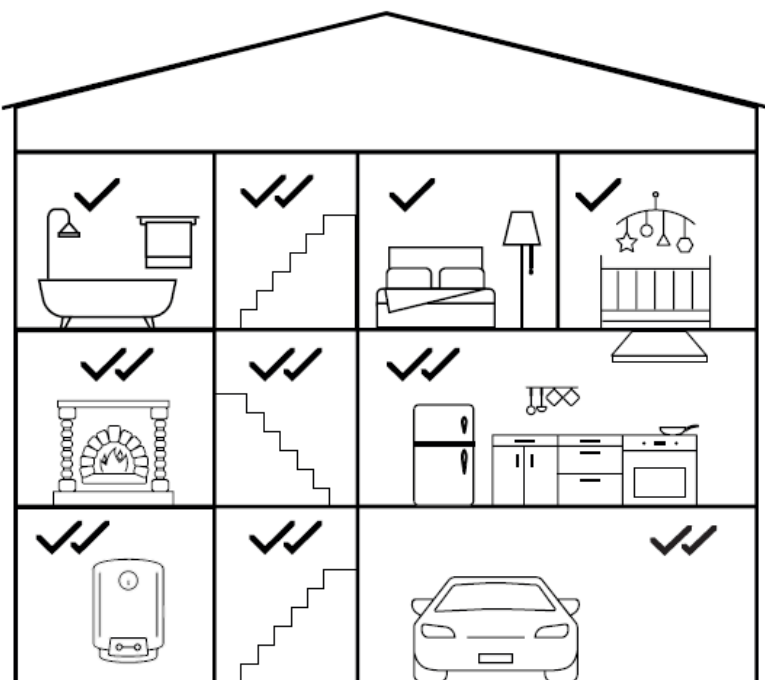


C

Location advice

Install several Smart Carbon Monoxide Alarms in your home to be fully protected. It is recommended that you install a Smart Carbon Monoxide Alarm on each floor, in rooms with a fuel-burning appliance (boiler, fireplace, wood burning stove, gas cooker), and rooms with a heating flue (even if it is a boxed flue). For maximum protection, you can install an extra Smart Carbon Monoxide Alarm in the most used living areas and every bedroom.

Highly recommended



EN Locations to avoid:

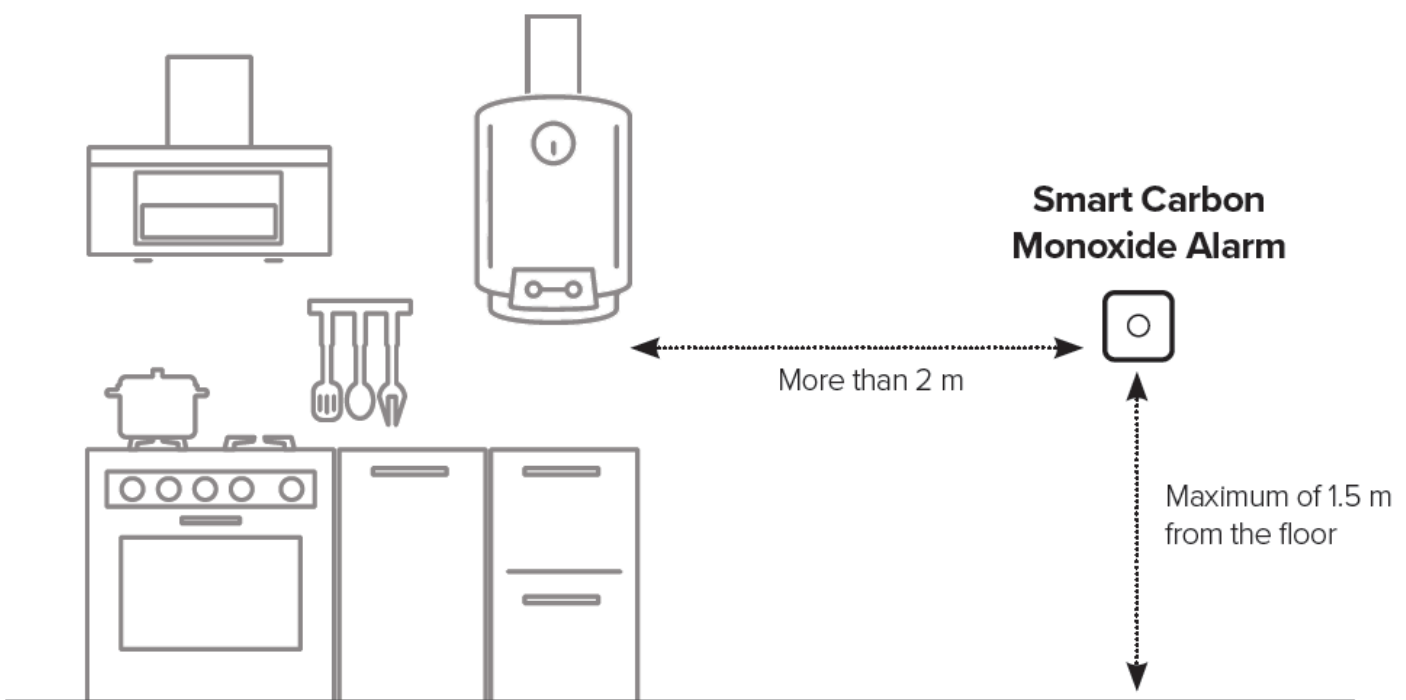
Do not install the Smart Carbon Monoxide Alarm:

- Less than 30 cm (12 inches) from the ceiling
- Outside
- In a place where the alarm would be difficult to hear, where the Alarm would be difficult to reach, or where the temperature is lower than -10 °C or higher than 40 °C, where the humidity is lower than 30% or higher than 90%, or in a place subject to great and/or sudden changes in temperature, pressure or humidity
- In a dusty or dirty place (attic, etc.)
- In a room with toxic product vapours
- Less than 1 m (40 in) from doors and windows, heating, cooling or air vents
- In a passageway where it could be damaged
- In an enclosed space (e.g., in a cupboard or behind a curtain)
- In a place where it could be obstructed (e.g., by furniture)
- In close proximity to cooking appliances
- Higher than 1.5 m (60 in) above the floor

Position

It is recommended that you install the Alarm:

- More than 2 m (79 in) away from fuel-burning appliances and ideally no more than 4 m (158 inches) away
- In a place where the alarm can be heard from all rooms
- A maximum of 1.5 m (60 in) from the floor



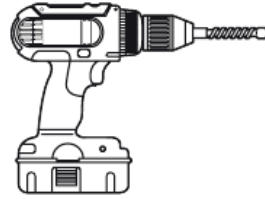
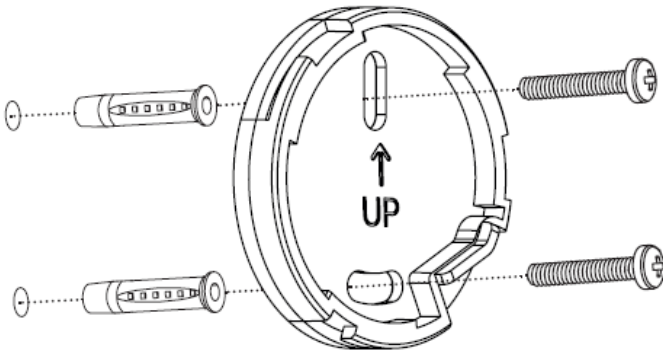
Check Wi-Fi signal

Use your smartphone to make sure you have sufficient Wi-Fi signal where you have chosen to install the Smart Carbon Monoxide Alarm. If you do not, try to move your Wi-Fi router closer. The Smart Carbon Monoxide Alarm will detect carbon monoxide and sound even if the Wi-Fi connection is not configured. You will need Wi-Fi to receive smartphone alerts from your Smart Carbon Monoxide Alarm when you are away. The Wi-Fi will be configured later in the app.



Securing the wall mount

1. Following the previous location recommendations, place the wall mount in the relevant position and mark the two holes with a pencil.
2. Drill the two holes and insert the anchors provided.
3. Place the wall mount in the right position and use the screws provided to fix it to the wall.



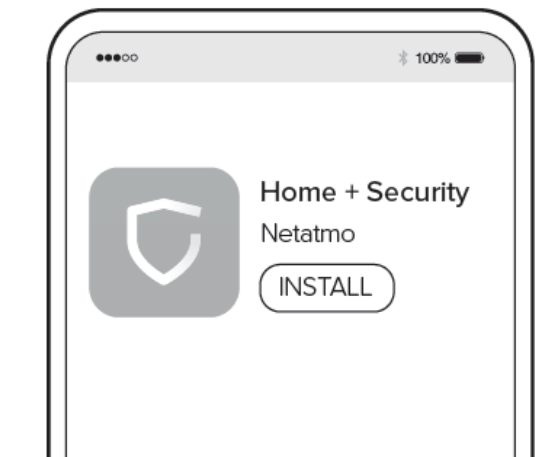
Powering on

1. Secure the Alarm to the mount by aligning the slots on the wall mount with the Alarm.
2. Then turn the Alarm clockwise to fix it to the wall mount. Please note, the Alarm will beep loudly. Once attached, the green LED will flash once per minute to indicate that the Alarm is working properly.

Download the app

Download the app and follow the instructions

To set up and control your Alarm from your smartphone or tablet, download the app.



Successful installation

Your Alarm has been successfully installed.
Enjoy a safer home!

Origin of carbon monoxide

Carbon monoxide is a toxic, colourless, odourless, non-irritating gas. It is produced by faulty fuel-burning appliances or blocked ventilation or exhaust systems. Potential sources of carbon monoxide are oil, coal and gas heating appliances, wood-burning stoves, gas and oil boilers, gas hobs, barbecues, blocked chimneys or flues, and tobacco smoke.

Installation of the Alarm is no substitute for the correct installation, use and maintenance of devices intended for the burning of fuels, including appropriate ventilation and evacuation systems.

Dangers of carbon monoxide

The toxic effects of carbon monoxide are:

- For 100 ppm: mild headaches, weakness and nausea.
- For 200 ppm: severe headaches, nausea, restricted movement of arms and legs.
- For 400 ppm: dizziness, nausea, visual acuity impairment, muscle weakness. Risk of death after 3 hours of exposure.
- For 800 ppm: convulsions and loss of consciousness within 45 minutes. Possible death after 2 hours of exposure.

If you have any of the symptoms listed above, please talk to your doctor immediately.

The device cannot prevent chronic effects caused by exposure to carbon monoxide, and does not protect individuals from any specific risks.

Triggering the alarm

The Netatmo Smart Carbon Monoxide Alarm will trigger an alarm in the following situations:

Carbon monoxide concentration	Delay before triggering the alarm
50 ppm	60 – 90 minutes
100 ppm	10 – 40 minutes
300 ppm	Less than 3 minutes

In the event of an alarm

1. Open the doors and windows.
2. Switch off all fuel-burning appliances.
3. Evacuate the premises.
4. Once outside, call for help if you suspect carbon monoxide poisoning (e.g., headache, nausea, dizziness).
5. Call your gas or other fuel supplier.
6. Do not go back inside the property if the alarm is still going off.
7. Do not use your fuel-burning appliances again until an authorised technician has checked that they are functioning properly. Assuming it is a false alarm is dangerous because carbon monoxide is a harmful, invisible, odourless, non-irritating gas that causes dizziness, vomiting and can kill within minutes.

If there is any uncertainty as to what has caused the alarm to sound, you should assume that dangerous levels of carbon monoxide have been detected and evacuate the home. Deactivating an alarm is dangerous and should not stop you from following the guidelines above (1-7).

Test

Test your Alarm every month. This test allows you to make sure the light and sound indicators of your Alarm are working. For the test, hold the button on the front panel for at least 3 seconds, then release the button. The Alarm will beep 4 times, followed by 5 seconds of silence, and another 4 beeps. For each of the beeps, the red LED will flash. The green and orange LEDs will remain on for the entire test. If one of the indicators does not behave as expected, the Alarm must be replaced.

Maintenance

Every month, remove the dust on your Alarm using an antistatic cloth or the brush attachment of your vacuum.

NB: Do not use a compressed air canister or similar product.

Fault indicators

Signals	Issue	Solution
1 flash of the red and green LEDs every 60 seconds	The alarm has been triggered in the last 7 days	Check your fuel-burning appliances. After a short press on the button on the front panel, this signal will deactivate
1 flash of the orange LED every 60 seconds and 1 beep every 60 seconds	Low battery	Replace your Alarm with a new one as soon as possible. After a short press on the central button, the low-battery sound signal will pause for 8 hours
1 flash of the orange LED every 60 seconds and 2 beeps every 60 seconds	End of life. After 10 years of use, the Alarm must be replaced	Replace it with a new Alarm as soon as possible. After a short press on the central button, the end-of-life sound signal will pause for 48 hours. After 30 days, the sound signal cannot be deactivated
1 flash of the orange LED every 60 seconds and 3 beeps every 60 seconds	Fault	Make sure you follow the measures for using and maintaining the Alarm. If you do so and the fault alarm persists after 15 minutes, then the Alarm must be replaced

Technical specifications

TYPE OF ALARM

Carbon Monoxide Alarm

USE

Indoor

POWER SUPPLY

Two non-replaceable 3 V lithium batteries with a 10-year lifespan.

NB: Do not burn, melt or incinerate.

ALARM

Triggering at 85 dB at 3 m (118 inches) after 60-90 minutes of exposure at 50 ppm of carbon monoxide, after 10-40 minutes of exposure at 100 ppm or after less than 3 minutes of exposure at 300 ppm.

OPERATING TEMPERATURE

-10 °C to +40 °C

STORAGE TEMPERATURE

-10 °C to +40 °C

OPERATING HUMIDITY

15 % to 95 %

DIMENSIONS

100 x 100 x 23 mm

3.9 x 3.9 x 0.9 in

WEIGHT

147 g / 0.32 lbs

FREE APP FOR LIFE

No subscription fees. App available on the App Store and Google Play. Accessible from several devices.

WIRELESS SPECIFICATIONS

Wi-Fi 802.11 b/g/n compatible (2.4 GHz \pm 10 MHz @ 30mW). Supported security protocols: Open/WEP/WPA/WPA2-Personal (TKIP and AES)

Bluetooth Low Energy (2.4 GHz \pm 0.5 MHz @ 30 mW)

Disposing of electrical and electronic equipment at the end of their service life(Applicable in European Union countries and other European countries with a waste collection system).

This symbol on products or product packaging means that this product must not be thrown out with normal household waste. It must be taken to an appropriate collection point for recycling electrical and electronic equipment. By disposing of these products in an appropriate manner, you are helping to prevent any harmful effects they may have on the environment and human health. For further information about recycling this product, you can contact your local authorities, waste collection centre or the shop where you bought the product.

Eco-friendly waste management company: Ecologic

Non-binding document, may be modified without prior notice.



CE marking is the manufacturer's declaration that the product meets the requirements of the applicable EC directives.



UKCA marking is the manufacturer's declaration that the product meets the requirements of the applicable UK directives (Due to Brexit).



The NF mark applied to Autonomous Carbon Monoxide Detectors (DAACO) is a guarantee of safety and constant quality monitored by specialists.

The NF DAACO mark certifies that the product meets the conditions specified in the NF292 certification reference system.



WEEE symbol designates safe and responsible collection, recycling and recovery procedures for all types of electronic waste.



Please read instructions carefully before installation.

PC-ASA

Blend of Acrylonitrile Styrene Acrylate and Polycarbonate

2x3VDC

The product is operated by two non-replaceable 3 V lithium batteries.

EN 50291-1 : 2018

Harmonised standard of gas detectors – electrical apparatus for the detection of carbon monoxide in domestic premises

M/N

Model number

gXXXXXX

Serial number

www.netatmo.com/declaration/nco

Netatmo SAS – 73/77 rue de Sèvres – 92100 Boulogne-Billancourt



[Netatmo Smart Carbon Monoxide Alarm \[pdf\] User Guide](#)
Smart Carbon Monoxide Alarm

Related Manuals / Resources



[Gaggenau VL 414 712 Instruction Manual](#)

Gaggenau VL 414 712 IMPORTANT SAFETY INSTRUCTIONS If the information in this manual is not followed exactly, fire...



[Pleasant Hearth Electric Log Set Insert with Fireback Instruction Manual](#)

Pleasant Hearth Electric Log Set Insert with Fireback Safety Information Please read and understand this entire manual before...



[SONY CFI-1015B PS5 PlayStation 5 Digital Edition User Guide](#)

PlayStation®5 Digital Edition Safety Guide Safety Guide for purchases in the United States and Canada WARNING To avoid...

[547 cc OHV Vertical Shaft Engines Owner's Manual](#)

547 cc OHV Vertical Shaft Engines Safe Operation Practices · Set-Up · Operation · Service And Maintenance ...

[Manuals+](#)

- [home](#)
- [privacy](#)